

## AXOR Starck V

### Single lever basin mixer 140 with glass spout and waste set

Surfaces: **Polished Black Chrome** Article Number: **12112330**



#### product features

- consists of: single lever basin mixer, waste set
- ComfortZone 140
- projection 125 mm
- swivel range adjustable in 3 steps 95°, 120° or 360°
- spray type: laminar spray
- EasyClick connection between body and spout with SafetyStop-function
- Spout is dishwasher safe
- material spout: crystal glass
- maximum flow rate at 3 bar: 4 l/min
- joystick ceramic cartridge
- non-closing waste set
- connection type: G 3/8 connections
- connection dimension: DN15
- handle can be positioned on the right or left
- handle position on the side: bottom-side at the base body (not suitable for wash bowls)

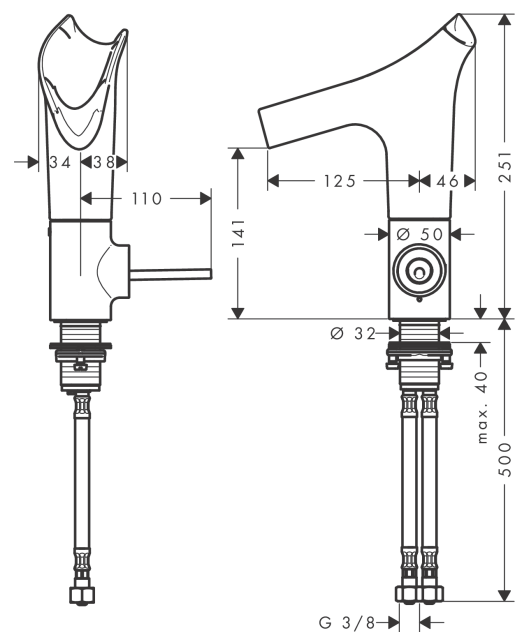
#### Technology



#### Product image



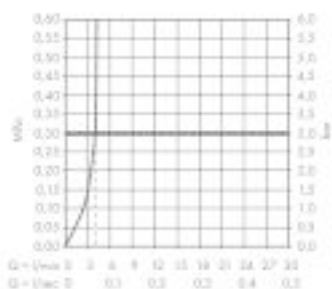
#### Scale drawing



**AXOR Starck V**  
**Single lever basin mixer 140 with glass spout and waste set**  
 Surfaces: **Polished Black Chrome** Article Number: **12112330**



## Flowchart

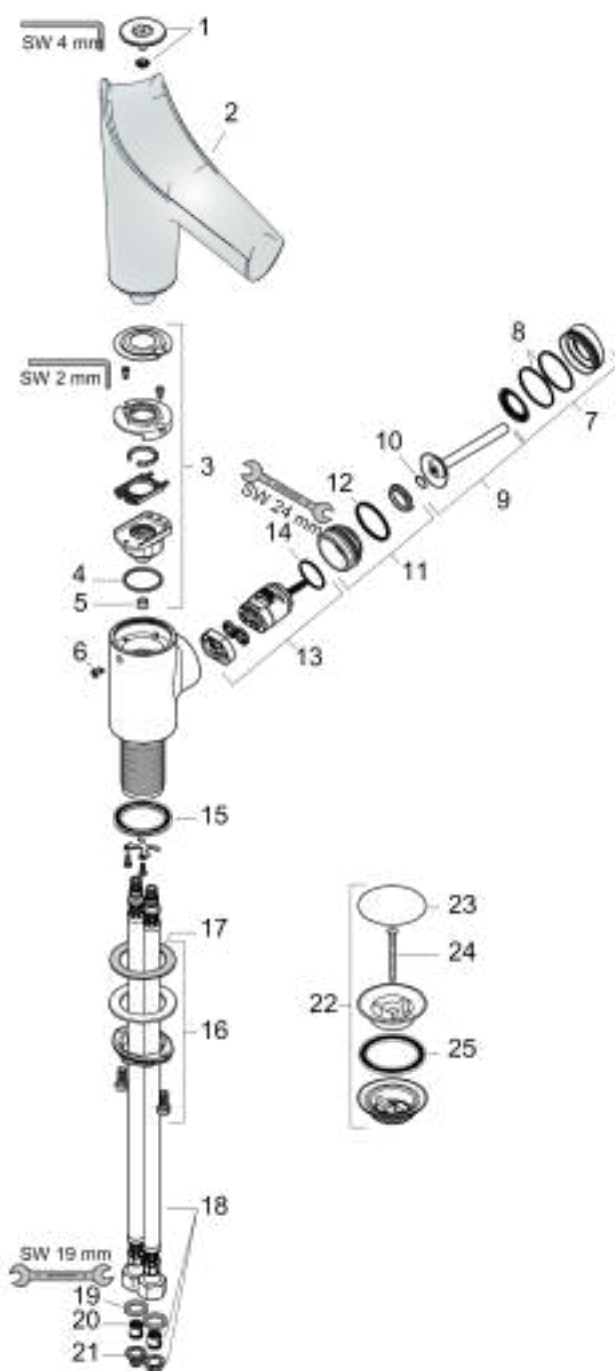


**AXOR Starck V**  
**Single lever basin mixer 140 with glass spout and waste set**  
 Surfaces: **Polished Black Chrome** Article Number: **12112330**



## Exploded Drawing

Year of production: >11/16



**AXOR Starck V**  
**Single lever basin mixer 140 with glass spout and waste set**  
 Surfaces: **Polished Black Chrome** Article Number: **12112330**



## Spare part list

Year of production: >11/16

Pos.		Article Number	Price	PU
1	spray head cpl.	92486330	-	1
2	spout cpl.	92487000	-	1
3	service unit	92488000	-	1
4	O-ring 26x2	98147000	-	1
5	flow limiter (4 l/min)	92491000	-	1
6	pushbutton	92492330	-	1
7	escutcheon	92489330	-	1
8	O-ring 35x1,5	92114000	-	1
9	handle	92490330	-	1
10	O-ring 9x2	98119000	-	1
11	nut	95667000	-	1
12	O-ring 30x1,5	98433000	-	1
13	cartridge, assy	96339000	-	1
14	O-ring 21,95x1,78	95169000	-	1
15	flat seal	98749000	-	1
16	fixing set (Ø 32)	13961000	-	1
17	lever collar	97548000	-	1
18	connection hose 450 mm M8x0,75 G3/8	98809000	-	1
19	sealing set	95581000	-	1
20	non return valve DW 10	96456000	-	1
21	filter packing	95291000	-	1
22	waste	50001330	-	1
23	cover	97141330	-	1
24	screw	98000000	-	1
25	form ring	96361000	-	1
a	fixation extension 35 mm	13898000	-	1
b	spray body (recommended at operating pressure < 0,15 MPa)	92341000	-	1