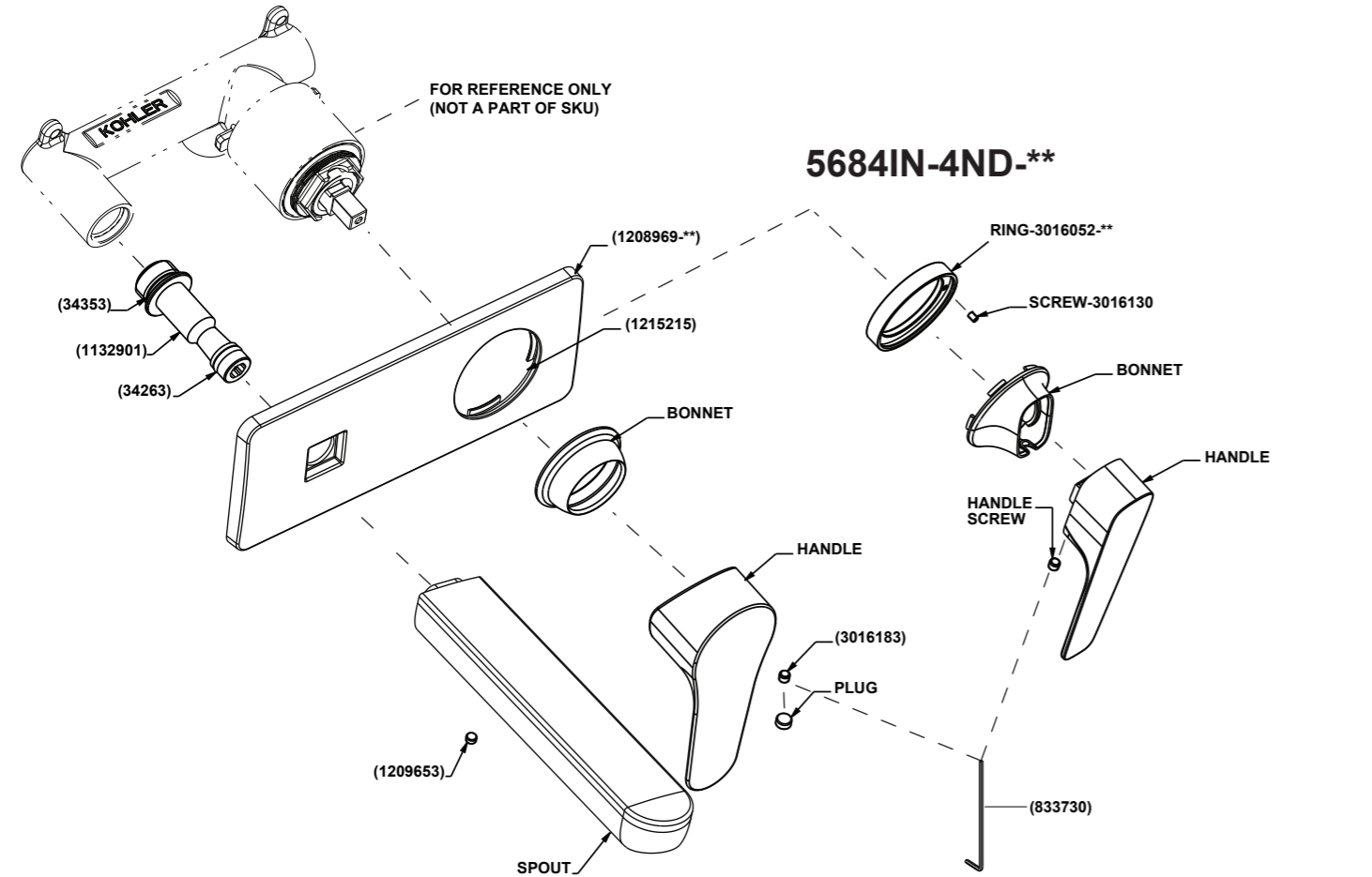


5680IN-4ND-**	JULY WM SC LAV FAUCET TRIM
5681IN-4ND-**	SINGULIER WM SC LAV FAUCET TRIM
5682IN-4ND-**	CUFF WM SC LAV FAUCET TRIM
5683IN-4ND-**	ALEO WM SC LAV FAUCET TRIM
5684IN-4ND-**	ALEO+ WM SC LAV FAUCET TRIM

**JULY
SINGULIER
CUFF
ALEO
ALEO+**

5680~5683IN-4ND-**



NOTES:

1. ALL PARTS ARE SERVICABLE
2. (PART NO.) - COMMON TO ALL SKU'S,
3. AERATOR KEY 3006146 IS FOR 5682IN-4ND-**

SKU - CODE	SPOUT	AERATOR	BONNET	HANDLE	PLUG
5680IN-4ND-**	1209747-**	3017767-**	3006923-**	1110391-**	3008523
5681IN-4ND-**	1208971-**	3017767-**	3006927-**	3010384-**	834705-**
5682IN-4ND-**	1209936-**	3020070	3006923-**	3013443-**	3008523
5683IN-4ND-**	1211793-**	1225103	3016037-**	3015548-**	3008523
5684IN-4ND-**	1211793-**	1225103	3016038-**	3015524-**	N.A

3016131 IS FOR 5684IN-4ND-** ONLY

AERATOR KEY 3006146

Kohler India Corporation Pvt. Ltd.
6th Floor, Office Block
Ambiance Mall, Ambi Island, NH-8
Gurgaon-122002
Haryana, India

Customer Care No : 1800 103 2244 (Toll Free) & +91-124-4319685 / 86

Customer Care Email : indiacustomercare@kohler.com

www.kohler.co.in

5680IN-4ND-**	JULY WM SC LAV FAUCET TRIM
5681IN-4ND-**	SINGULIER WM SC LAV FAUCET TRIM
5682IN-4ND-**	CUFF WM SC LAV FAUCET TRIM
5683IN-4ND-**	ALEO WM SC LAV FAUCET TRIM
5684IN-4ND-**	ALEO+ WM SC LAV FAUCET TRIM

**JULY
SINGULIER
CUFF
ALEO
ALEO+**

BEFORE YOU BEGIN

All information is based on the latest product information available at the time of publication. Kohler Co. reserves the right to make changes in product characteristics, packaging, or availability at any time without notice.

Please leave these instructions for the consumer. They contain important information.

NOTES:

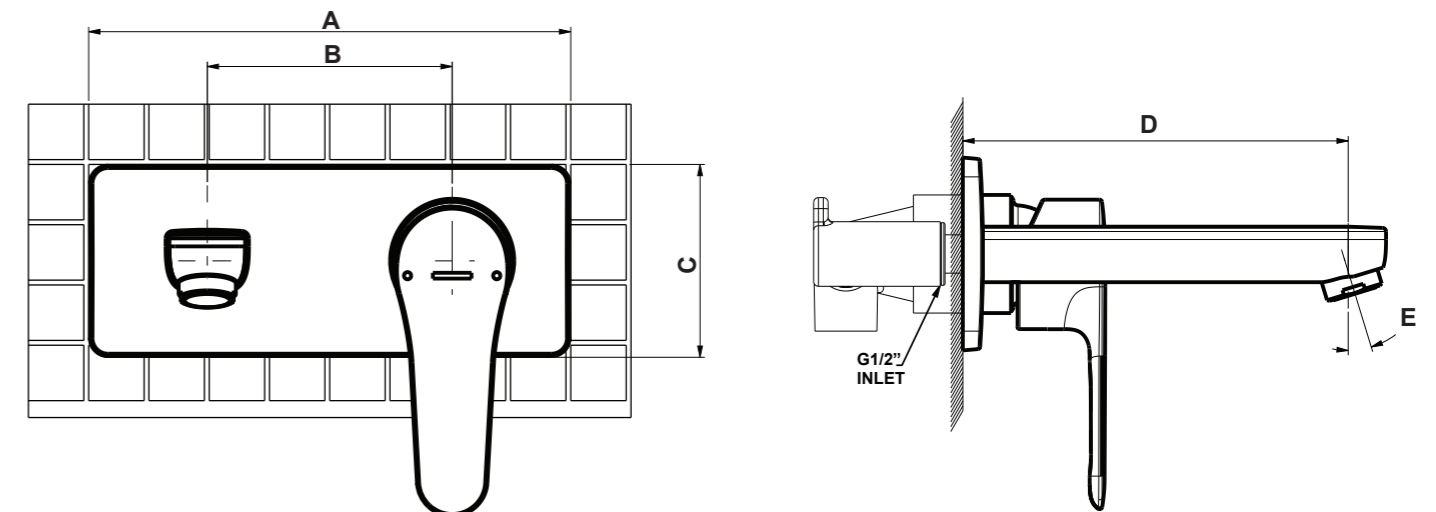
1. Flush the water supply pipes thoroughly to remove debris.
2. Inspect the supply tubing for damage. Replace as necessary.
3. Observe local plumbing codes.
4. Check for leaks before covering the pipes, repairs as needed.
5. These trims use with valve assembly - 5679IN-**

CLEANING INSTRUCTION

Clean the finish with mild soap and warm water. Wipe entire surface completely dry with clean soft cloth. Many cleaners may contain chemicals, such as ammonia, chlorine, toilet cleaner etc. which could adversely affect the finish and are not recommended for cleaning.

Do not use abrasive cleaners or solvents on Kohler faucets and fittings.

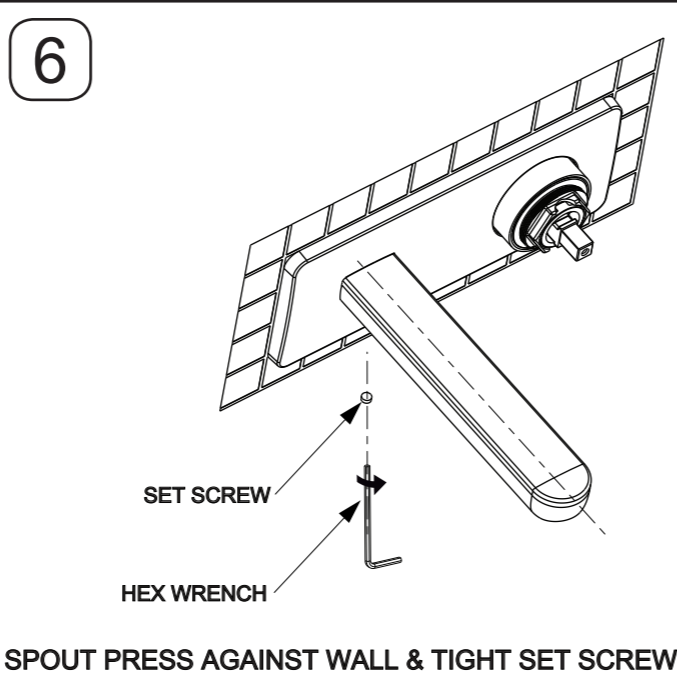
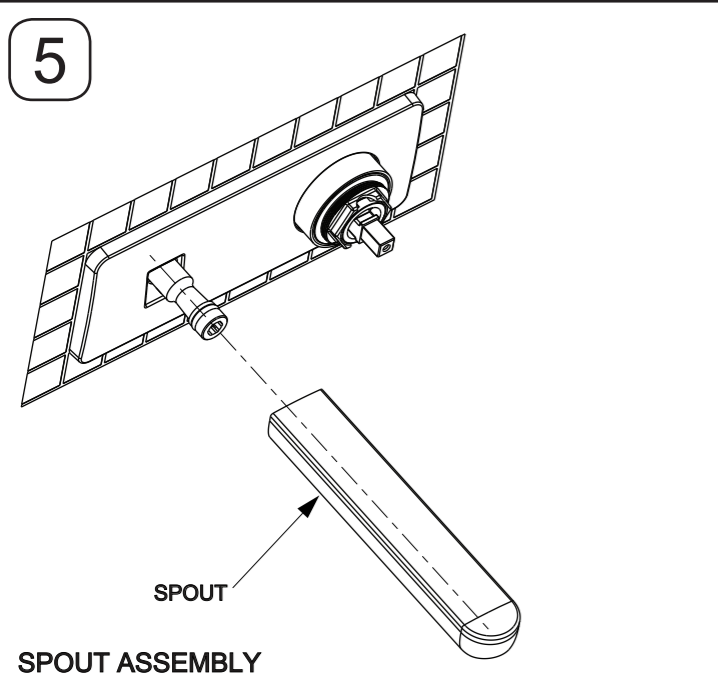
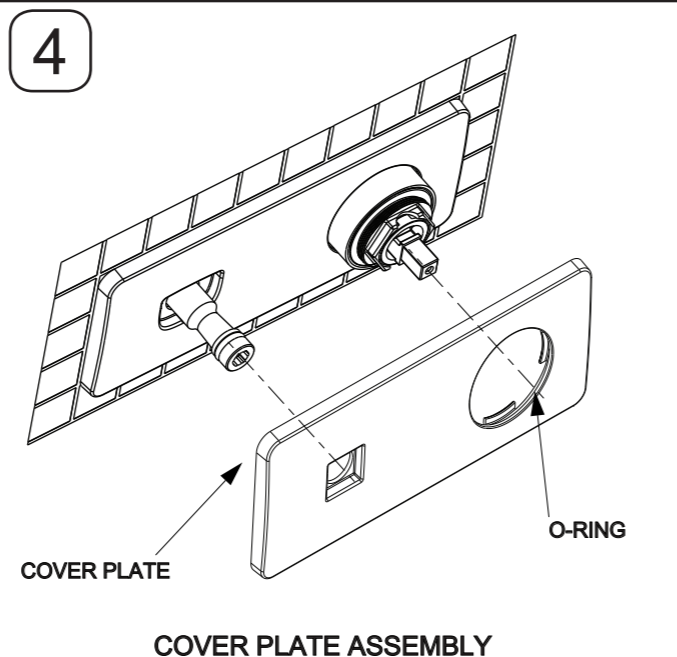
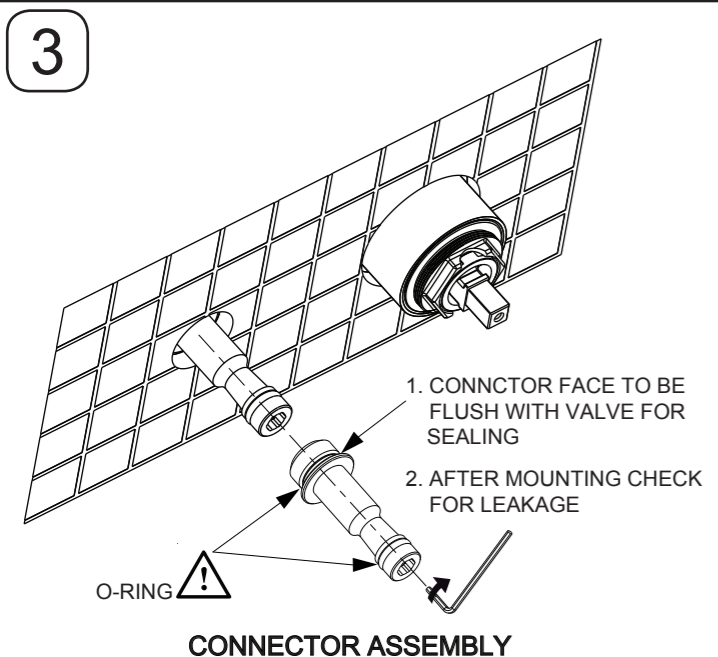
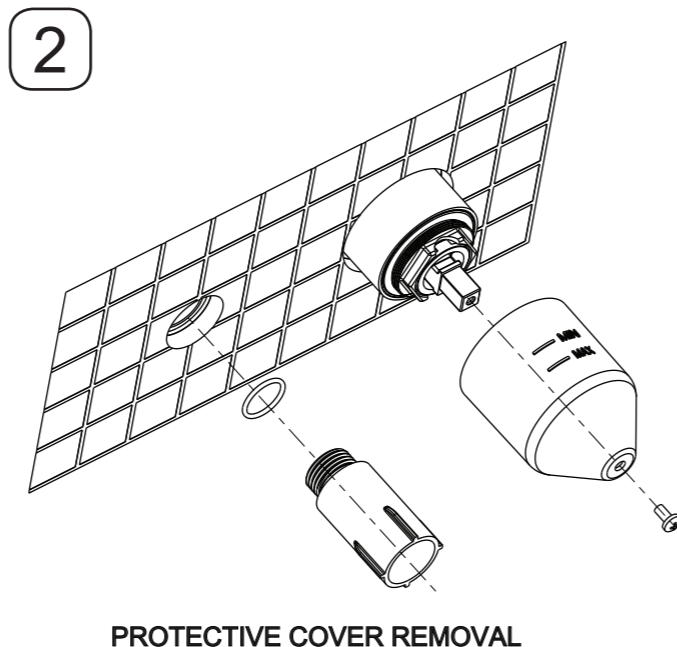
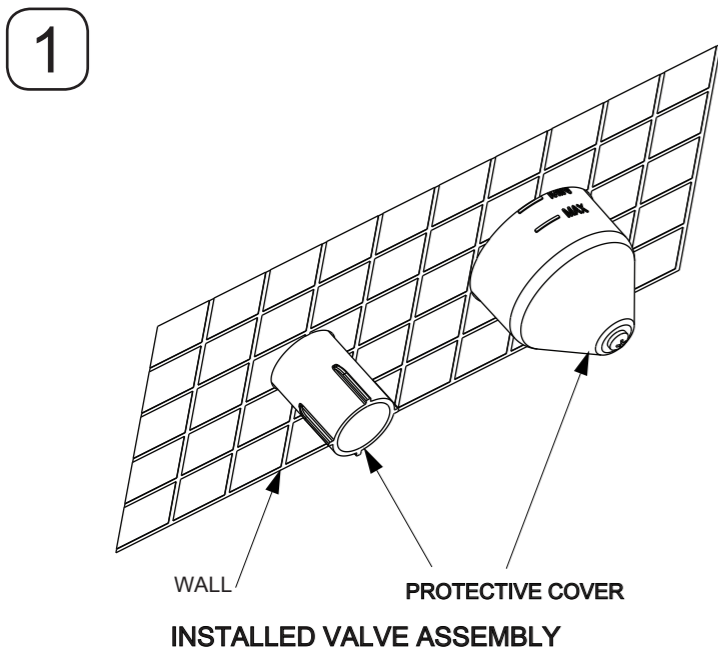
ROUGH-IN DIMENSION



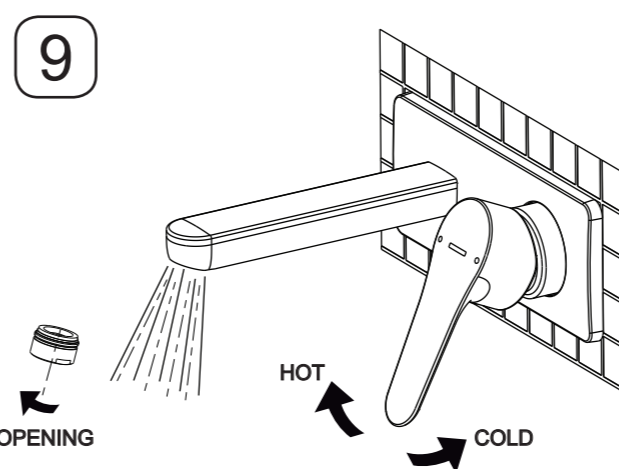
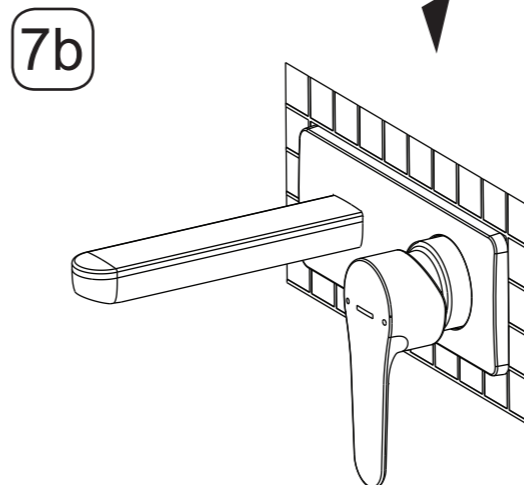
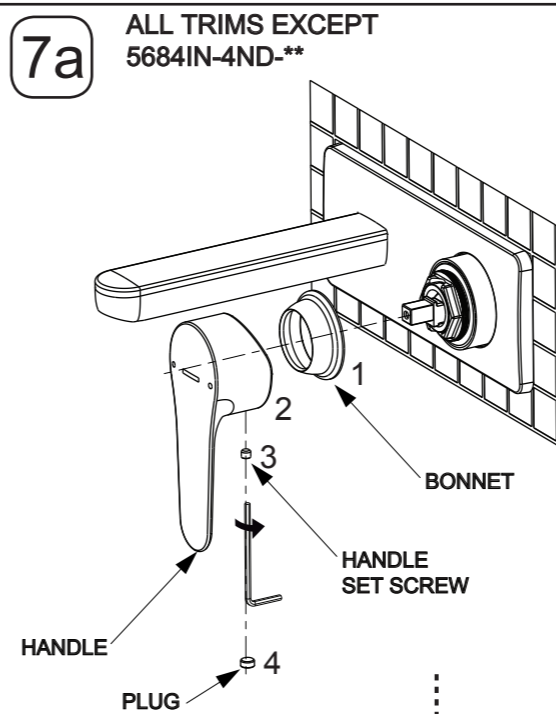
SKU - CODE	A	B	C	D	E
5680IN-4ND-**	200	101.6	80	160	17
5681IN-4ND-**	200	101.6	80	158	3.8
5682IN-4ND-**	200	101.6	80	157	23
5683IN-4ND-**	200	101.6	80	160	13.6
5684IN-4ND-**	200	101.6	80	160	13.6

Shown reference geometry - July (5680IN-4ND-**)

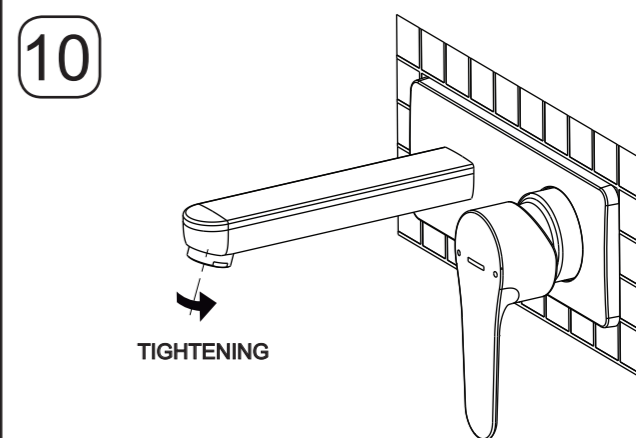
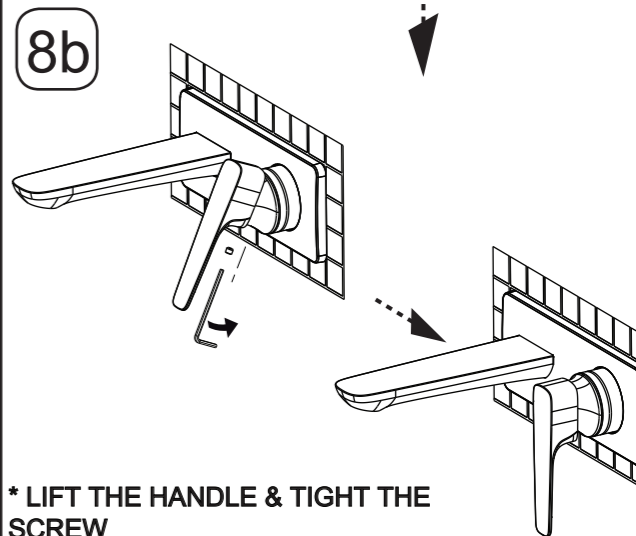
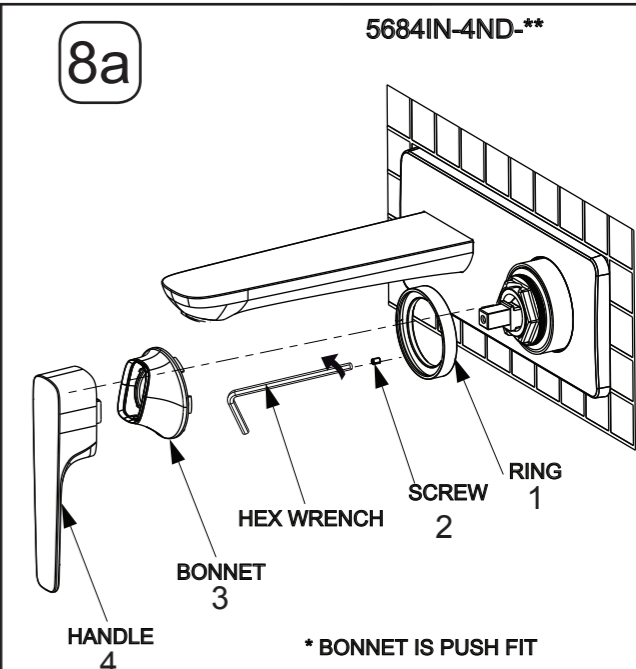
INSTALLATION - SPOUT ASSEMBLY



INSTALLATION - HANDLE ASSEMBLY



* REMOVE THE AERATOR
* OPEN THE HANDLE & SWIVEL LEFT & RIGHT TO FLUSH THE DEBRIS OUT



* ONCE FLUSHING IS OVER, PUT THE HANDLE DOWN & HAND TIGHT THE AERATOR