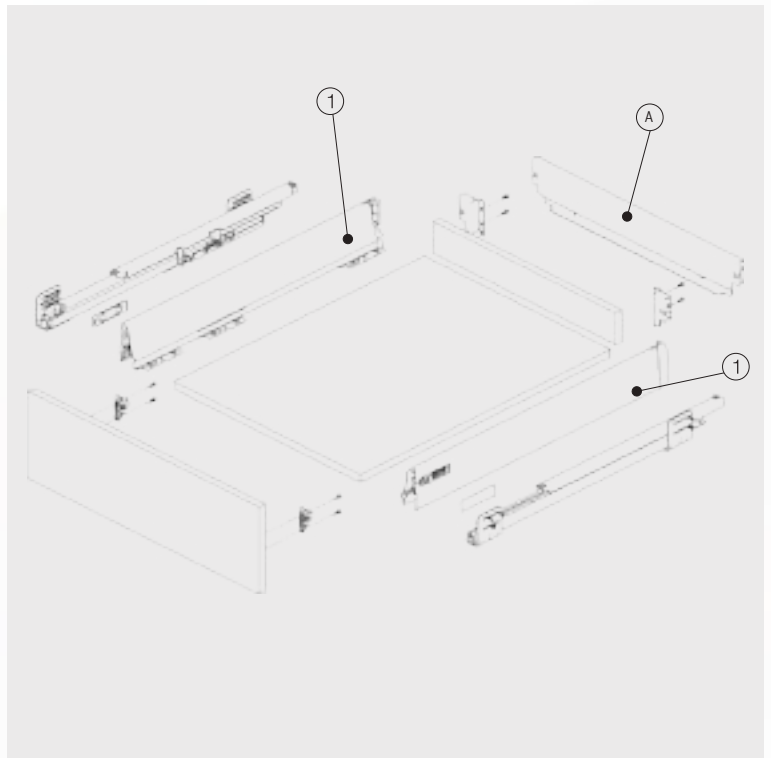


smart box

H 68 Drawer Without Gallery Railings



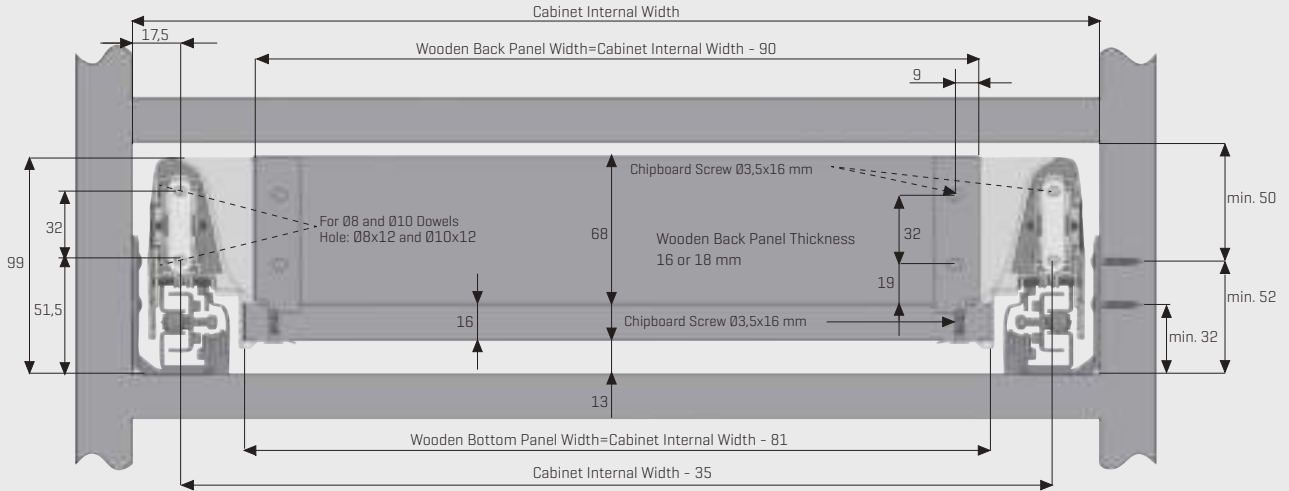
- Improved soft closing system guarantees smooth running
- Dynamic load capacity: 40 and 65 kg
- ± 2 mm vertical and $\pm 1,5$ mm horizontal adjustment
- Finish: White and Grey
- 97 mm Outer/ 68 mm inner casing height
- Wooden backboard thickness options: 18 mm
- Drawer Length for 40 kg: 350/400/450/500/550/600 mm
- Drawer Length for 65 kg: 450/500/550/600 mm
- Smart-Click: Tool free assembly and removal of front panel
- Smart-Fit: Simple and tool free assembly, as well as removal of drawer
- The improved stability guarantees a long product durability



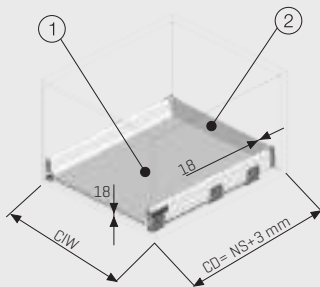
| Load Capacity 40 kg | 1 Smart Box Basic package | |
|------------------------|------------------------------|-----------|
| | GREY | WHITE |
| NOMINAL SIZE | | |
| 350 mm | 127140733 | - |
| 400 mm | 127140743 | - |
| 450 mm | 127140753 | 127140751 |
| 500 mm | 127140763 | 127140761 |
| 550 mm | 127140773 | 127140771 |
| 600 mm | 127140783 | - |

| Load Capacity 65 kg | 1 Smart Box Basic package | |
|------------------------|------------------------------|-----------|
| | GREY | WHITE |
| NOMINAL SIZE | | |
| 450 mm | 127142753 | 127142751 |
| 500 mm | 127142763 | 127142761 |
| 550 mm | 127142773 | 127142771 |
| 600 mm | 127142783 | - |

Slide Mounting Dimensions

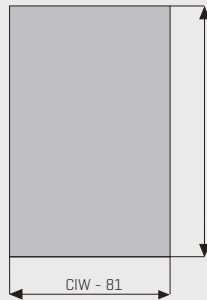


Wooden Back Panel Application



CD Cabinet Depth
CIW Cabinet Internal Width
NS Nominal Size

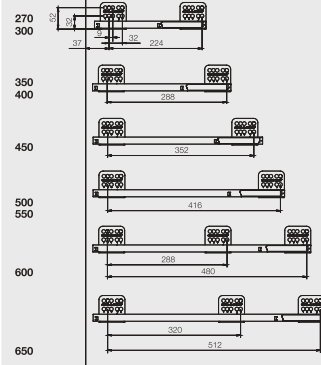
1. Wooden Drawer Bottom



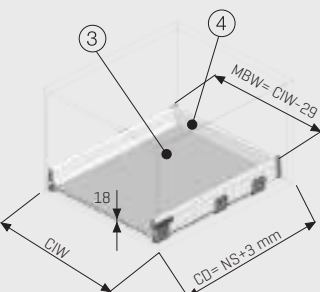
2. Wooden Back Panel



Slide Screw Location

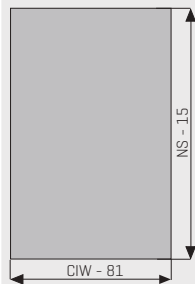


Metal Back Panel Application



CD Cabinet Depth
CIW Cabinet Internal Width
NS Nominal Size
MBW Metal Back Panel Width

3. Wooden Drawer Bottom



A Metal Back Panel without Gallery Railing

| NOMINAL SIZE | GREY |
|--------------|-------------|
| 600mm | 12790323535 |
| 900mm | 12790323835 |

Recommended Screws For Rail Assembly

Ø3,5x16 mm Chipboard Screw



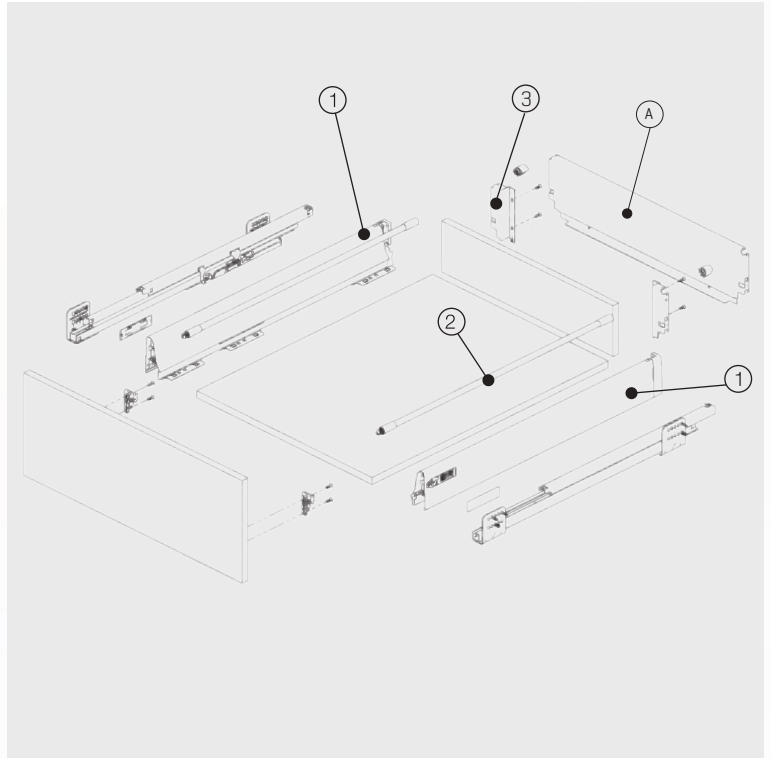
Ø6,1x11,5 mm Euro Screw



*All dimensions in the graphs above are measured in mm

smart box

H 68 Drawer with Single Gallery Railing



- Improved soft closing system guarantees smooth running
- Dynamic load capacity: 40 and 65 kg
- ± 2 mm vertical and $\pm 1,5$ mm horizontal adjustment
- Finish: White and Grey
- 155 mm Outer/ 116 mm inner casing height
- Wooden backboard thickness options: 18 mm
- Drawer Length for 40 kg: 350/400/450/500/550/600 mm
- Drawer Length for 65 kg: 450/500/550/600 mm
- Smart-Click: Tool free assembly and removal of front panel
- Smart-Fit: Simple and tool free assembly, as well as removal of drawer
- The improved stability guarantees a long product durability

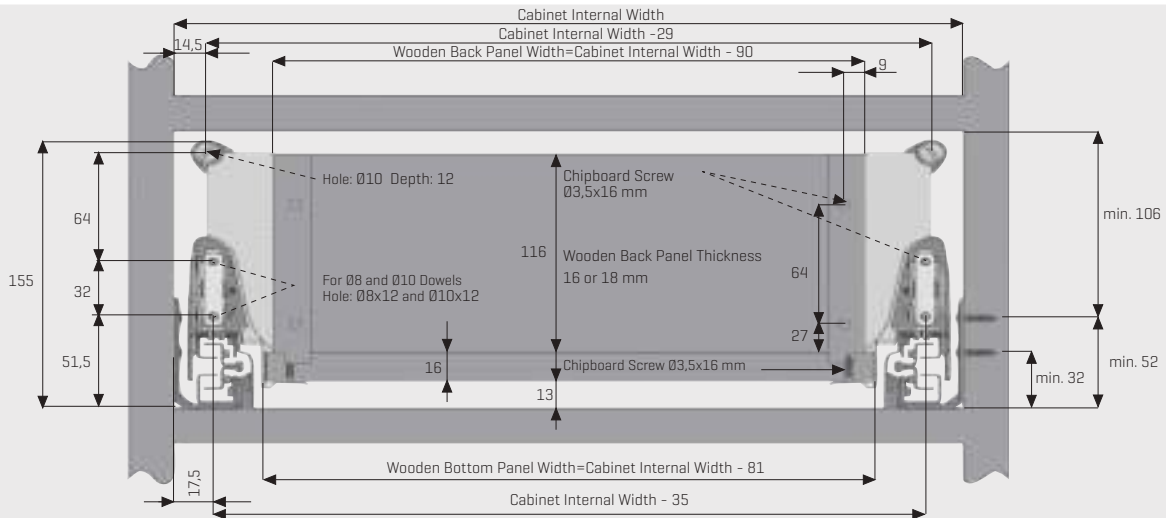
| Load Capacity 40 kg | 1 Smart Box Basic package | |
|------------------------|------------------------------|-----------|
| | GREY | WHITE |
| NOMINAL SIZE | | |
| 350 mm | 127140733 | - |
| 400 mm | 127140743 | - |
| 450 mm | 127140753 | 127140751 |
| 500 mm | 127140763 | 127140761 |
| 550 mm | 127140773 | 127140771 |
| 600 mm | 127140783 | - |

| 2 | Gallery Railing Bar | |
|--------------|---------------------|-----------|
| | GREY | WHITE |
| NOMINAL SIZE | | |
| 350 mm | 127901433 | - |
| 400 mm | 127901443 | - |
| 450 mm | 127901453 | 127901451 |
| 500 mm | 127901463 | 127901461 |
| 550 mm | 127901473 | 127901471 |
| 600 mm | 127901483 | - |

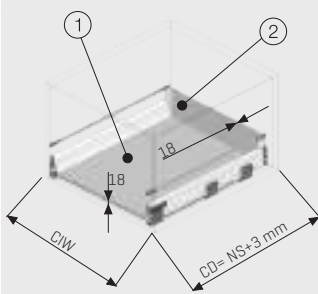
| Load Capacity 65 kg | 1 Smart Box Basic package | |
|------------------------|------------------------------|-----------|
| | GREY | WHITE |
| NOMINAL SIZE | | |
| 450 mm | 127142753 | 127142751 |
| 500 mm | 127142763 | 127142761 |
| 550 mm | 127142773 | 127142771 |
| 600 mm | 127142783 | |

| 3 | Backboard Holder Single Gallery Railing | |
|---|--|----------------|
| | GREY 18 mm | WHITE 18 mm |
| | 12791863 | 12791861 |

Slide Mounting Dimensions

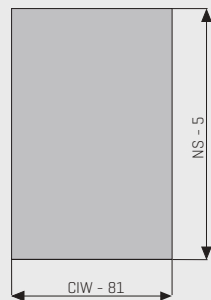


Wooden Back Panel Application

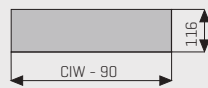


CD Cabinet Depth
CIW Cabinet Internal Width
NS Nominal Size

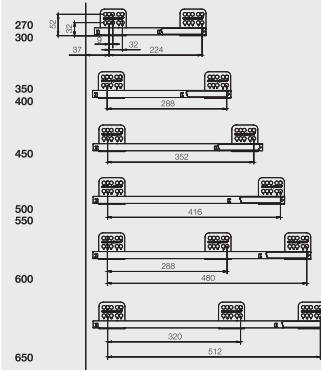
1. Wooden Drawer Bottom



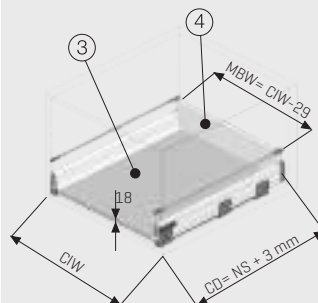
2. Wooden Back Panel



Slide Screw Location

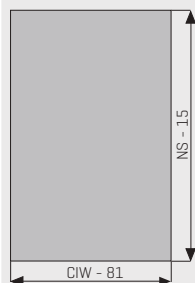


Metal Back Panel Application



CD Cabinet Depth
CIW Cabinet Internal Width
NS Nominal Size
MBW Metal Back Panel Width

3. Wooden Drawer Bottom



A Metal Back Panel Single Gallery Railing

| NOMINAL SIZE | GREY |
|--------------|-------------|
| 600mm | 12790343535 |
| 900mm | 12790343835 |

Recommended Screws For Rail Assembly

Ø3,5x16 mm Chipboard Screw



Ø6,1x11,5 mm Euro Screw



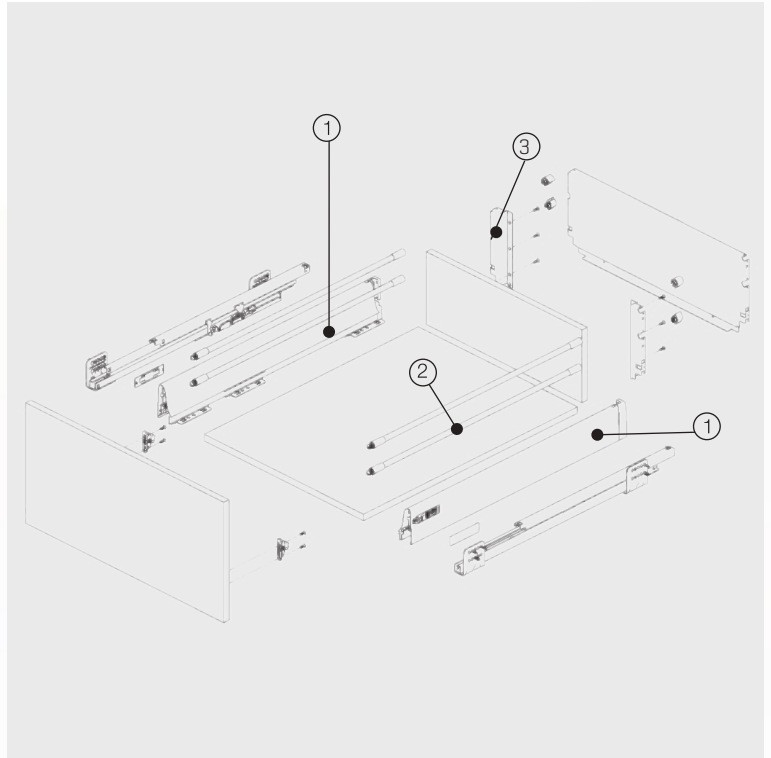
*All dimensions in the graphs above are measured in mm

smart box

H 68 Drawer with Double Gallery Railing



- Improved soft closing system guarantees smooth running
- Dynamic load capacity: 40 and 65 kg
- ± 2 mm vertical and ± 1,5 mm horizontal adjustment
- Finish: White and Grey
- 219 mm Outer/180 mm inner casing height
- Wooden backboard thickness options: 18 mm
- Drawer Length for 40 kg: 350/400/450/500/550/600 mm
- Drawer Length for 65 kg: 450/500/550/600 mm
- Smart-Click: Tool free assembly and removal of front panel
- Smart-Fit: Simple and tool free assembly, as well as removal of drawer
- The improved stability guarantees a long product durability



| Load Capacity 40 kg | 1 Smart Box Basic package | |
|------------------------|------------------------------|-----------|
| | GREY | WHITE |
| NOMINAL SIZE | | |
| 350 mm | 127140733 | - |
| 400 mm | 127140743 | - |
| 450 mm | 127140753 | 127140751 |
| 500 mm | 127140763 | 127140761 |
| 550 mm | 127140773 | 127140771 |
| 600 mm | 127140783 | - |

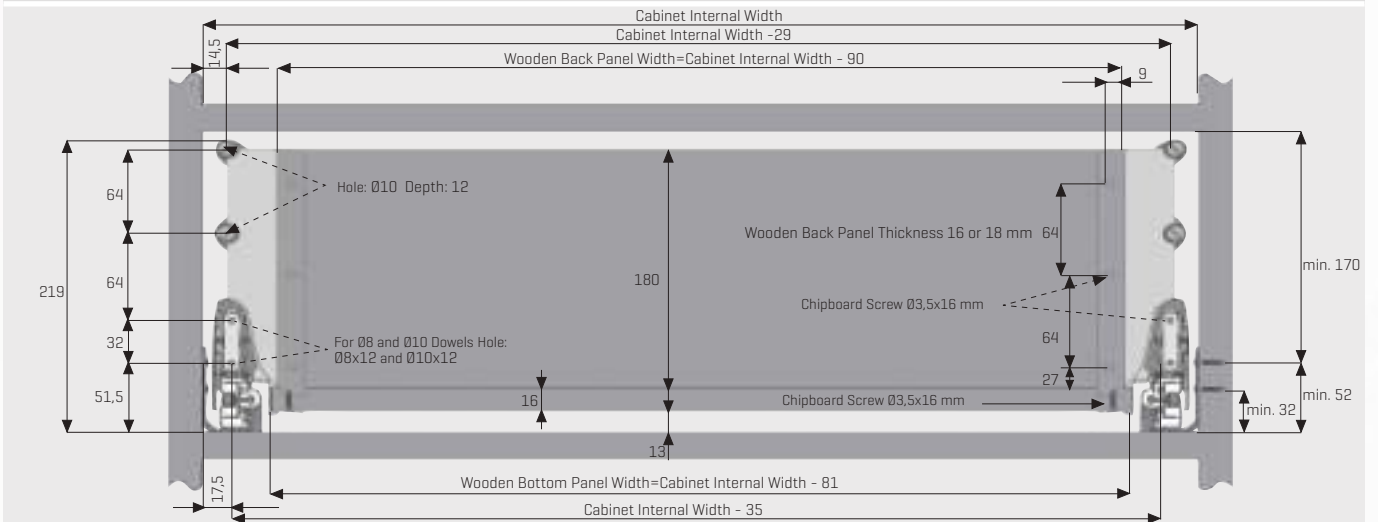
| Load Capacity 65 kg | 1 Smart Box Basic package | |
|------------------------|------------------------------|-----------|
| | GREY | WHITE |
| NOMINAL SIZE | | |
| 450 mm | 127142753 | 127142751 |
| 500 mm | 127142763 | 127142761 |
| 550 mm | 127142773 | 127142771 |
| 600 mm | 127142783 | |

| 2 | Gallery Railing Bar | |
|--------------|---------------------|-----------|
| | GREY | WHITE |
| NOMINAL SIZE | | |
| 350 mm | 127901433 | - |
| 400 mm | 127901443 | |
| 450 mm | 127901453 | 127901451 |
| 500 mm | 127901463 | 127901461 |
| 550 mm | 127901473 | 127901471 |
| 600 mm | 127901483 | - |

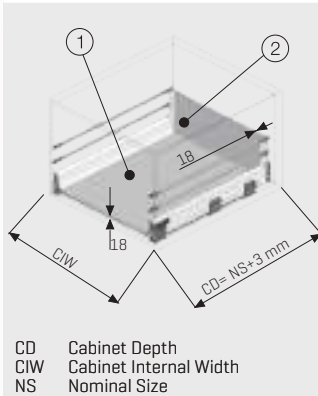
For Gallery Railing Quantity x2

| 3 | Backboard Holder Double Gallery Railing | |
|---|--|----------------|
| | GREY 18 mm | WHITE 18 mm |
| | 12791873 | 12791871 |

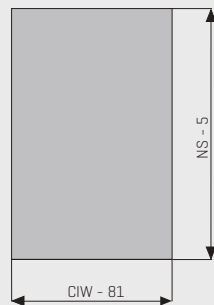
Slide Mounting Dimensions



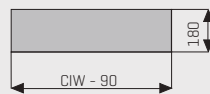
Wooden Back Panel Application



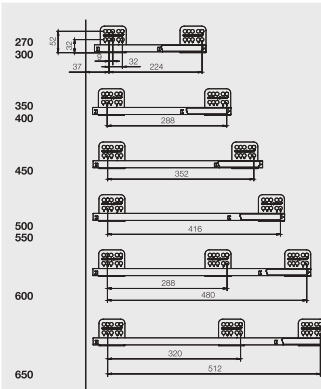
1. Wooden Drawer Bottom



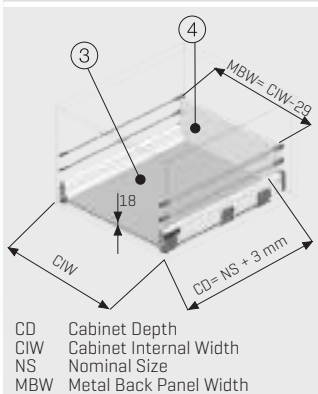
2. Wooden Back Panel



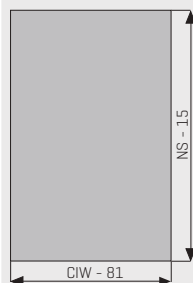
Slide Screw Location



Metal Back Panel Application



3. Wooden Drawer Bottom



*All dimensions in the graphs above are measured in mm

Recommended Screws For Rail Assembly

Ø3,5x16 mm Chipboard Screw

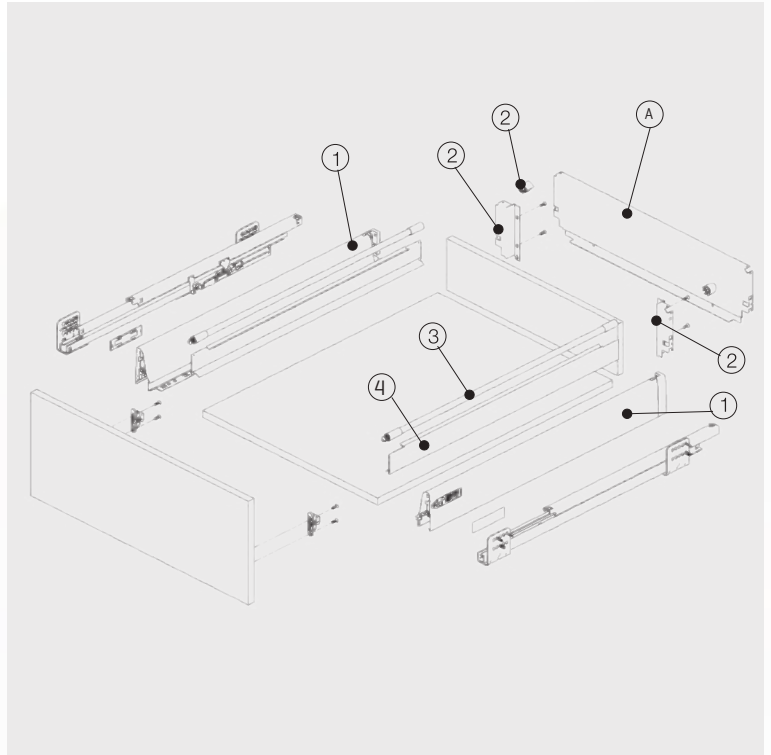


Ø6,1x11,5 mm Euro Screw



smart box

H 68 Drawer Side Panel H:48



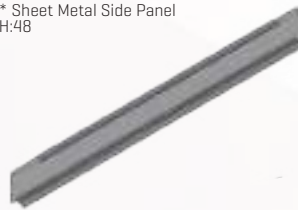
- Improved soft closing system guarantees smooth running
- Dynamic load capacity: 40 and 65 kg
- ± 2 mm vertical and ± 1,5 mm horizontal adjustment
- Finish: White and Grey
- 116 mm casing height
- Wooden backboard thickness options: 18 mm
- Drawer Length for 40 kg: 450/500/550/600/650 mm
- Drawer Length for 65 kg: 450/500/550/600/650 mm
- Smart-Click: Tool free assembly and removal of front panel
- Smart-Fit: Simple and tool free assembly, as well as removal of drawer
- The improved stability guarantees a long product durability

| Load Capacity 40 kg | 1 Smart Box Basic package | |
|------------------------|------------------------------|-----------|
| | GREY | WHITE |
| NOMINAL SIZE | | |
| 450 mm | 127140753 | 127140751 |
| 500 mm | 127140763 | 127140761 |
| 550 mm | 127140773 | 127140771 |
| 600 mm | 127140783 | - |

| 4 | Metal Side Panel | |
|--------------|------------------|--|
| | Standard | |
| NOMINAL SIZE | GREY | |
| 450 mm | 127900935 | |
| 500 mm | 127900936 | |
| 550 mm | 127900937 | |
| 600 mm | 127900938 | |

| Load Capacity 65 kg | 1 Smart Box Basic package | |
|------------------------|------------------------------|-----------|
| | GREY | WHITE |
| NOMINAL SIZE | | |
| 450 mm | 127142753 | 127142751 |
| 500 mm | 127142763 | 127142761 |
| 550 mm | 127142773 | 127142771 |
| 600 mm | 127142783 | |

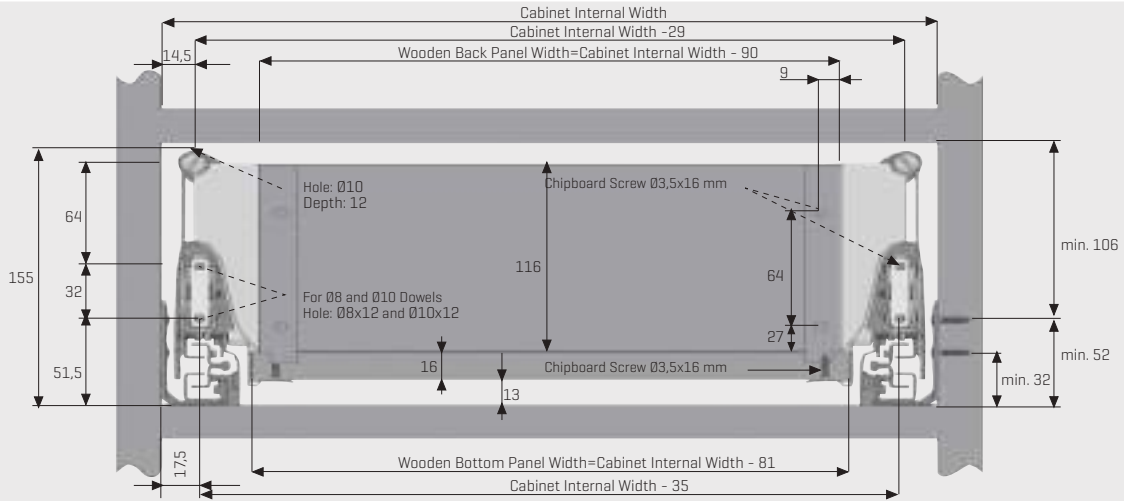
* Sheet Metal Side Panel
H:48



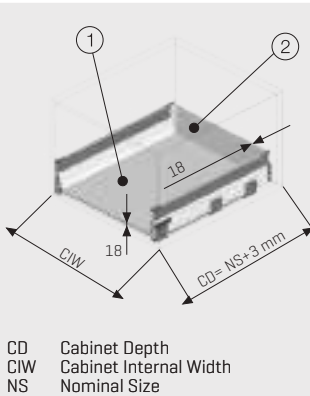
| 2 Backboard Holder Single Gallery Railing | |
|--|----------------|
| GREY 18 mm | WHITE 18 mm |
| 12791863 | 12791861 |

| 3 | Gallery Railing Bar Optional (Easy Mounting Gallery Railings) | |
|--------------|---|-----------|
| | GREY | WHITE |
| NOMINAL SIZE | | |
| 450 mm | 127901453 | 127901451 |
| 500 mm | 127901463 | 127901461 |
| 550 mm | 127901473 | 127901471 |
| 600 mm | 127901483 | - |

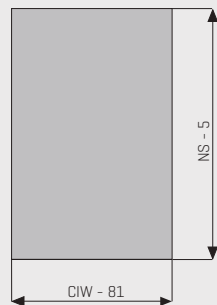
Slide Mounting Dimensions



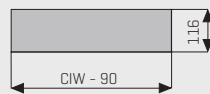
Wooden Back Panel Application



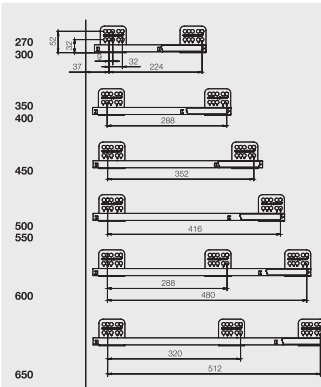
1. Wooden Drawer Bottom



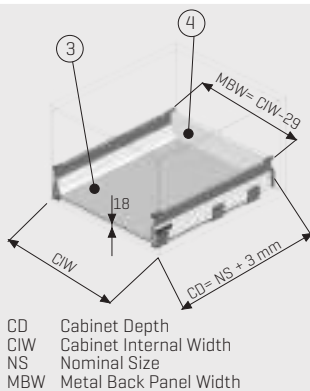
2. Wooden Back Panel



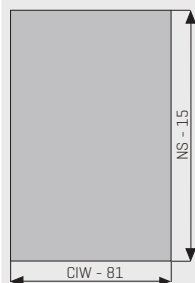
Slide Screw Location



Metal Back Panel Application



3. Wooden Drawer Bottom



A Metal Back Panel Single Gallery Railing

| NOMINAL SIZE | GREY |
|--------------|-------------|
| 600mm | 12790343535 |
| 900mm | 12790343835 |

*All dimensions in the graphs above are measured in mm

Recommended Screws For Rail Assembly

Ø3,5x16 mm Chipboard Screw



Ø6,1x11,5 mm Euro Screw

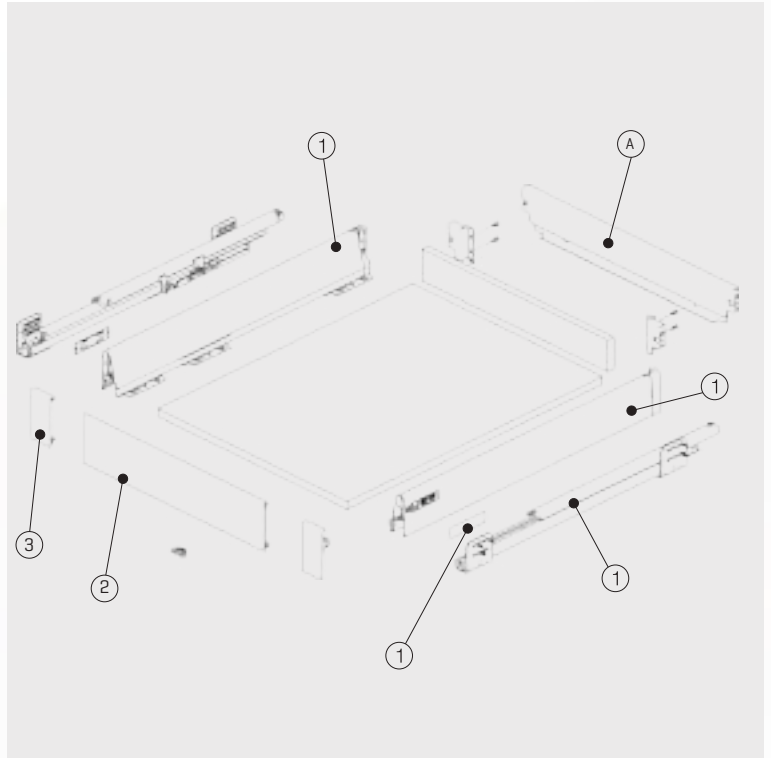


smart box

H 68 In-Box without Gallery Railing



- Improved soft closing system guarantees smooth running
- Dynamic load capacity: 40 and 65 kg
- Finish: White and Grey
- 68 mm casing height
- Wooden backboard thickness options: 18 mm
- Drawer Length for 40 kg: 350/400/450/500/550/600 mm
- Drawer Length for 65 kg: 450/500/550/600 mm
- Smart-Click: Tool free assembly and removal of front panel
- Smart-Fit: Simple and tool free assembly, as well as removal of drawer
- The improved stability guarantees a long product durability



| Load Capacity 40 kg | 1 Smart Box Basic package | |
|------------------------|------------------------------|-----------|
| | GREY | WHITE |
| NOMINAL SIZE | | |
| 350 mm | 127140733 | - |
| 400 mm | 127140743 | - |
| 450 mm | 127140753 | 127140751 |
| 500 mm | 127140763 | 127140761 |
| 550 mm | 127140773 | 127140771 |
| 600 mm | 127140783 | - |

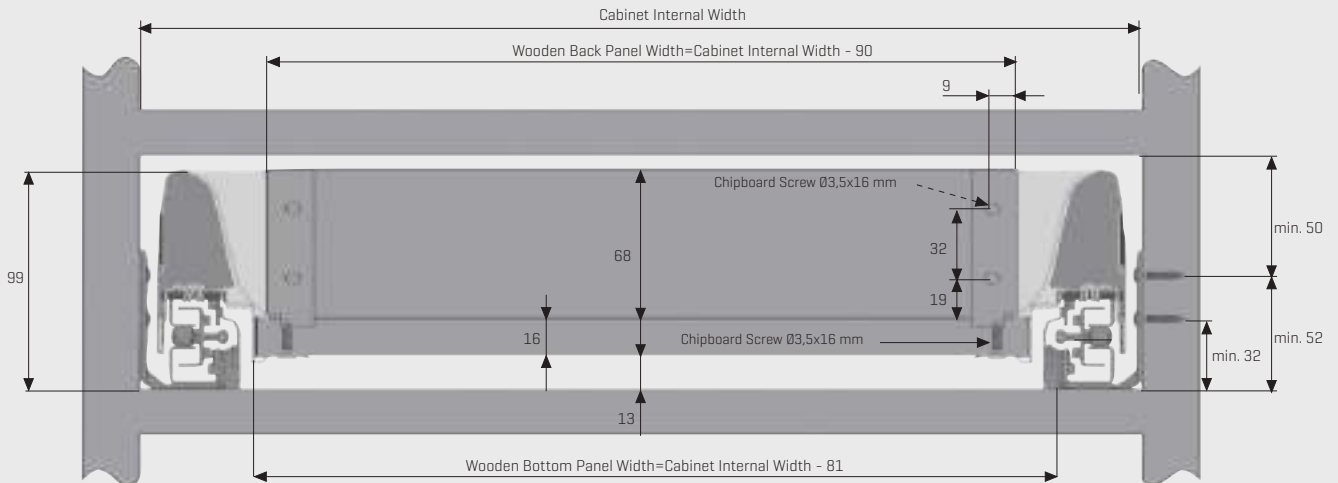
| Load Capacity 65 kg | 1 Smart Box Basic package | |
|------------------------|------------------------------|-----------|
| | GREY | WHITE |
| NOMINAL SIZE | | |
| 450 mm | 127142753 | 127142751 |
| 500 mm | 127142763 | 127142761 |
| 550 mm | 127142773 | 127142771 |
| 600 mm | 127142783 | - |

| 2 Front Panel (LENGTH 1069 mm) | |
|-----------------------------------|-------------|
| COLOR | CODE |
| White | 12791711069 |
| Grey | 12791731069 |

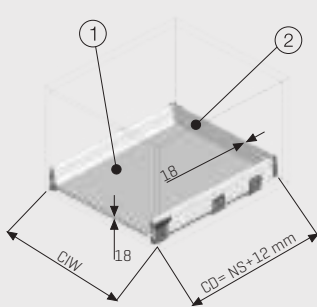
| 3 Front Connectors Without gallery railing *** | |
|---|------------|
| COLOR | CODE |
| White | 1279164211 |
| Grey | 1279164231 |

*** Front panel holder included

Slide Mounting Dimensions

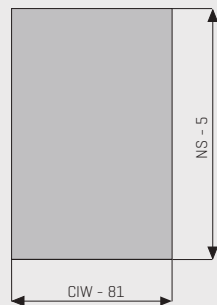


Wooden Back Panel Application

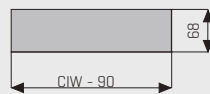


CD Cabinet Depth
CIW Cabinet Internal Width
NS Nominal Size

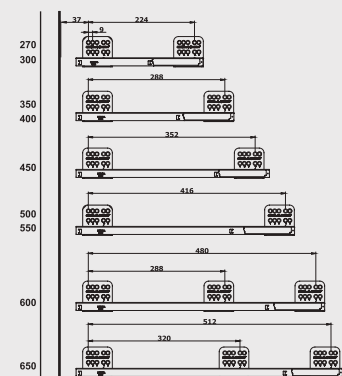
1. Wooden Drawer Bottom



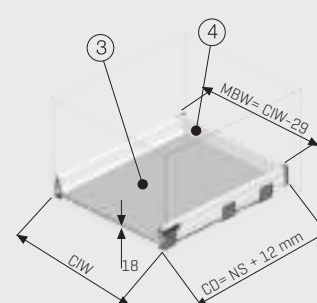
2. Wooden Back Panel



Slide Screw Location

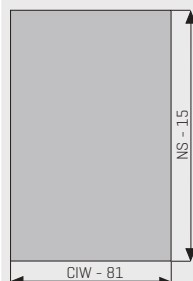


Metal Back Panel Application



CD Cabinet Depth
CIW Cabinet Internal Width
NS Nominal Size
MBW Metal Back Panel Width

3. Wooden Drawer Bottom



A Metal Back Panel without Gallery Railing

| NOMINAL SIZE | Grey |
|--------------|-------------|
| 600mm | 12790323535 |
| 900mm | 12790323835 |

Calculation Method for Front Panel Dimensions: Cut Measurement = Cabinet Internal Width - 99

Recommended Screws For Rail Assembly

Ø3,5x16 mm Chipboard Screw



Ø6,1x11,5 mm Euro Screw



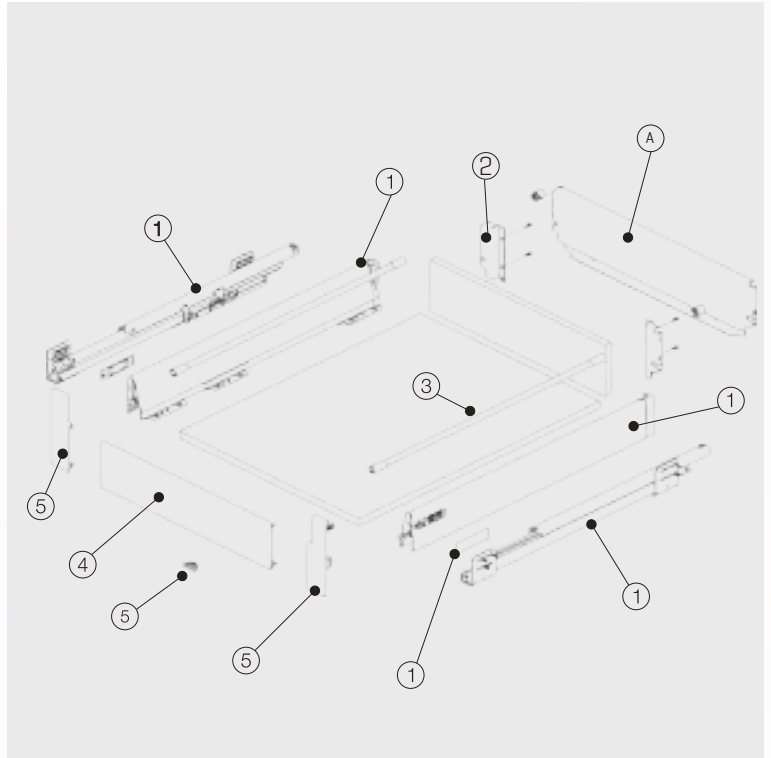
*All dimensions in the graphs above are measured in mm

smart box

H 68 In-Box with Single Gallery Railing



- Improved soft closing system guarantees smooth running
- Dynamic load capacity: 40 and 65 kg
- Finish: White, Grey
- 116 mm casing height
- Wooden backboard thickness options: 18 mm
- Drawer Length for 40 kg: 350/400/450/500/550/600 mm
- Drawer Length for 65 kg: 450/500/550/600 mm
- Smart-Click: Tool free assembly and removal of front panel
- Smart-Fit: Simple and tool free assembly, as well as removal of drawer
- The improved stability guarantees a long product durability



| Load Capacity 40 kg | 1 Smart Box Basic package | |
|------------------------|------------------------------|-----------|
| | GREY | WHITE |
| NOMINAL SIZE | | |
| 350 mm | 127140733 | - |
| 400 mm | 127140743 | - |
| 450 mm | 127140753 | 127140751 |
| 500 mm | 127140763 | 127140761 |
| 550 mm | 127140773 | 127140771 |
| 600 mm | 127140783 | - |

| Load Capacity 65 kg | 1 Smart Box Basic package | |
|------------------------|------------------------------|-----------|
| | GREY | WHITE |
| NOMINAL SIZE | | |
| 450 mm | 127142753 | 127142751 |
| 500 mm | 127142763 | 127142761 |
| 550 mm | 127142773 | 127142771 |
| 600 mm | 127142783 | |

| 3 Gallery Railing Bar | | |
|-----------------------|-----------|-----------|
| NOMINAL SIZE | GREY | WHITE |
| 350 mm | 127901433 | - |
| 400 mm | 127901443 | - |
| 450 mm | 127901453 | 127901451 |
| 500 mm | 127901463 | 127901461 |
| 550 mm | 127901473 | 127901471 |
| 600 mm | 127901483 | - |

| 2 Backboard Holder Single Gallery Railing | |
|--|----------------|
| GREY 18 mm | White 18 mm |
| 12791863 | 12791861 |

| 4 Front Panel (LENGTH 1069 mm) | |
|-----------------------------------|-------------|
| COLOR | CODE |
| White | 12791711069 |
| Grey | 12791731069 |

| 5 Front Connectors Single Gallery Railing*** | |
|---|------------|
| COLOR | CODE |
| White | 1279164311 |
| Grey | 1279164331 |

*** Front panel holder included