

PRODUCT INFO

**HÄFELE**  
GERMAN INNOVATION  
— SINCE 1923 —



www.hafeleindia.com

# THE ZETA SERIES BUILT-IN HOBS

## INTRODUCTION

Appliances should not only meet your functional requirements but also make you fall in love with your chores. The **New ZETA Series Hobs** introduced in Häfele's In-house Range of Premium Appliances promise an exhilarating cooking experience which will have you reaching for your hob again and again!

The latest 6<sup>th</sup> generation Direct Flame technology in the ZETA hobs provides you with a powerful and efficient burner system and the Top Air Burners utilize air above the hob for an effective fuel combustion giving you a clean and pure flame. You can thus cook different food items at the temperature meant for them! The burners are fully crowned with brass lids which are corrosion resistant and highly durable thereby increasing the life span of your hob.

The auto ignition pin built in the ZETA Hobs helps to start the flame as soon as you switch on the hob, avoiding the need for any manual operation using external lighting devices. The Flame Failure Safety Device ensures that the gas supply is automatically turned off if food spills on the hob or the flame is extinguished accidentally.



The four different burners, Triple Flame, Mini Triple Flame, Dual Flame and Single Flame are designed keeping in mind the different cooking techniques commonly adopted in an Indian kitchen. You can pick one of the various hobs in the ZETA Series with a combination of burners that cater to your individual cooking habits!

The black glass finish and bevelled edges of the ZETA hobs integrate the hob surface perfectly with your kitchen countertop giving your kitchen a clean and flushed look. Likewise, the new and improved knob and cast iron pan support design and finish complement the burners, enhancing the appearance of the kitchen as a whole.

## COOKING ZONES



### The Dual Function Triple Flame Burner



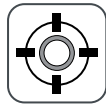
For perfectly crisp samosas and roasted chicken drumsticks, the ZETA Series Hobs provide you with the Dual Function Triple Flame Burner. These burners are designed to make your deep-frying and boiling quick, easy and precise by giving out evenly distributed flames that heat your vessel uniformly. The Dual Function of this burner enables you to use the burner on the highest setting with an output of 5 kW for a full flame or on the lowest setting with an output of 0.5 kW where only the inner ring can be operated.

### The Mini Triple Flame Burner



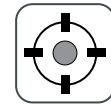
The Mini Triple Flame Burner in the ZETA Hobs is especially designed for cooking food and hot beverages slowly. The balanced heat output of 3.5 kW of this burner is suitable for food that needs a controlled temperature for a slow cooking process thereby enhancing the aroma and flavour of the different ingredients.

### The Dual Flame Burner



Zeta's Dual Flame Burner has an ideal output of 2 kW that helps you to carry out light sautéing or preparing a seasoning on a tadka bowl for dishes like dal tadka and jeera rice. You can even heat up food on this flame expending a minimal amount of energy.

### The Single Flame Burner



The Single Flame Burner is designed for handling delicate food that requires minimal heat. It is greatly helpful in getting you that perfectly melted white sauce for your pasta and melted chocolate for your desserts. The low output of 0.9 kW can also be used for light re-heating and defrosting.

## FEATURES



### Flame Failure Safety Device (FFSD) and Premium Ignition Pin Brass Cover

ZETA Hobs by Häfele are equipped with the Flame Failure Safety Device, a valve that gets activated the moment your hob flame goes off accidentally. In such cases, the FFSD automatically cuts off the gas supply to the burners thereby preventing any fire accident that might be caused due to a gas leakage. As a result, your kitchen and home are safe from unforeseen casualties.

The auto electric ignition pin gives you complete freedom from lighters and other external ignition tools. ZETA Series Hobs have a protective brass cover for the ignition pin which provides it with extra durability and resistance from wear and tear.

## FEATURES



### Premium Metal Knobs

The knobs of the ZETA Series Hobs have defined and grooved edges for a better grip, easy maintenance and cleaning. Their gun-metal finish and design are signature aesthetics that enrich the appearance of your hob.



### Precise Control of Flame

Zeta Hobs are equipped with highly efficient valves offering you seamless control of the flame. The smooth and accurate calibration of these valves helps to maintain the exact temperature you desire at the time of cooking.



### Direct Flame Technology

This is arguably the most efficient and powerful technology for a power-packed and efficient burner system. Compared to traditional burners where gas is carried through several chambers and small injectors, in the ZETA Series Hobs, the gas is injected directly through a single tube carrier to the burner which gives you an instant ignition and powerful heat output. The flame control is more efficient in this technology even when the gas is used at a lower flame.



Gas flows in at a high pressure from the nozzles

Big oxygen mixing chamber for complete combustion and a bright blue flame

### Clean and Pure Flame

For achieving a clean and blue flame, the ignition process should be balanced and the fuel should get the correct amount of oxygen. To make this possible, the highly efficient ZETA burner system comes with a side chamber and multiple air channels for the proper mixing of air (oxygen) with the fuel giving you a stable flame throughout the cooking process.

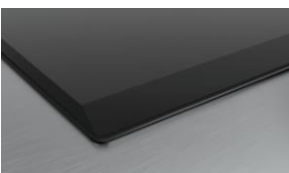


### Top Air Burners

In a traditional gas hob, burners have a construction in which the air is taken from the bottom and mixed with the fuel. This is not suitable in case of built-in installations because in case of such installations, the space below the countertop is utilized for cutlery drawers. This setup blocks the supply of oxygen from the bottom which results in a poor flame quality. The ZETA Series Hobs are equipped with Top Air Burners that are designed to enable the air channel inlets mix the air from the top with the fuel for both the inner and outer rings of the flame. This ensures enough supply of oxygen to the flame to achieve a clean and complete combustion.

Flames from the Zeta hobs are affected if:

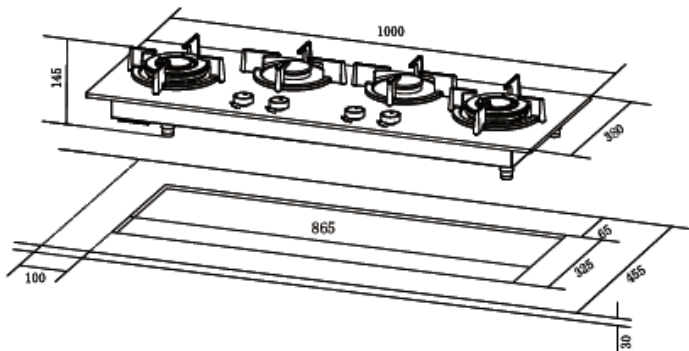
- The gas composition is not good and the butane percentage is high
- The kitchen is not ventilated
- The moisture level in the air/environment is high
- The ventilation provided in the hob installation is not enough



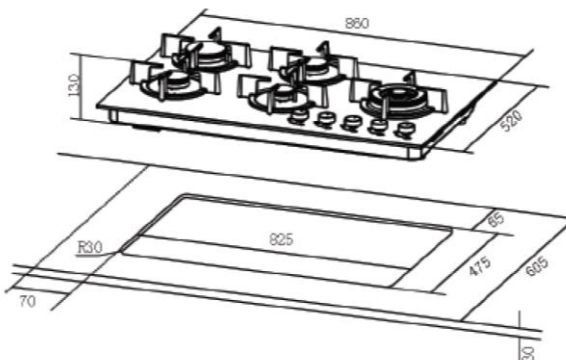
### Bevelled Edges

The surface of the ZETA Series Hobs has a bevelled edge that makes its installation flush with the kitchen countertop and makes your kitchen look minimalistic. The matt beveling enhances the overall aesthetics of the hob and gives it a defined look.

**PRODUCT AND TECHNICAL SPECIFICATIONS**

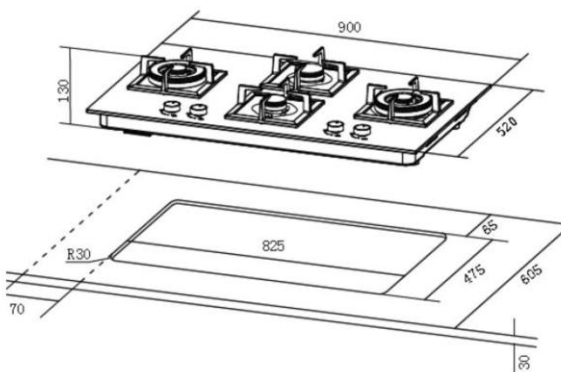


<b>Features</b>	<b>ZETA 000</b>
<b>Article No</b>	<b>538.01.959</b>
Outer Product Dimensions (W x D x H)	1000 mm x 380 mm x 145 mm
Material	8 mm Toughened Glass
Finish	Black Matt
Design	4 Burner
Safety	Flame Failure Safety Device
Ignition	Electric Auto
Pan Support	Cast Iron
Knobs	Soft Touch Knob
Burners	6 <sup>th</sup> Generation Brass Burners
Wok Burner Design	Direct Flame
<b>Cooking Zones</b>	
Triple Flame Burner	1 x 5 kW
Mini Triple Flame Burner	1 x 3.5 kW
Dual Flame Burner	1 x 2 kW
Single Flame Burner	1 x 0.9 kW
<b>MRP (INR)</b>	<b>42,990/-</b>

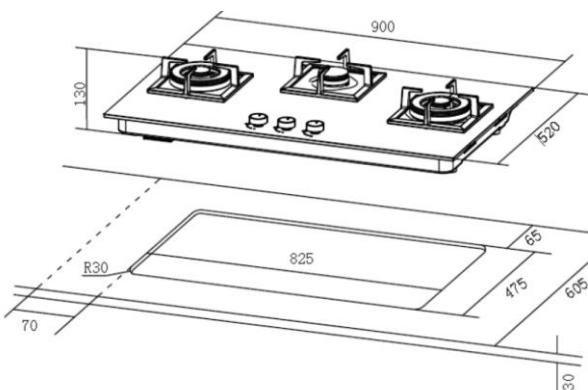


<b>Features</b>	<b>ZETA 590</b>
<b>Article No</b>	<b>538.01.978</b>
Outer Product Dimensions (W x D x H)	900 mm x 520 mm x 130 mm
Material	8 mm Toughened Glass
Finish	Black Matt
Design	5 Burner
Safety	Flame Failure Safety Device
Ignition	Electric Auto
Pan Support	Cast Iron
Knobs	Soft Touch Knob
Burners	6 <sup>th</sup> Generation Brass Burners
Wok Burner Design	Direct Flame
<b>Cooking Zones</b>	
Triple Flame Burner	1 x 5 kW
Mini Triple Flame Burner	2 x 3.5 kW
Dual Flame Burner	1 x 2 kW
Single Flame Burner	1 x 0.9 kW
<b>MRP (INR)</b>	<b>44,990/-</b>

**PRODUCT AND TECHNICAL SPECIFICATIONS**

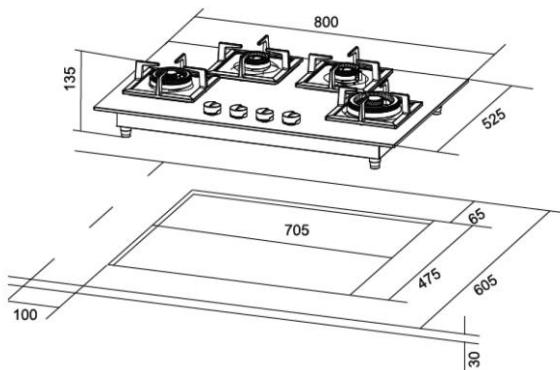


<b>Features</b>	<b>ZETA 490</b>
<b>Article No</b>	<b>538.01.958</b>
Outer Product Dimensions (W x D x H)	900 mm x 520 mm x 130 mm
Material	8 mm Toughened Glass
Finish	Black Matt
Design	4 Burner
Safety	Flame Failure Safety Device
Ignition	Electric Auto
Pan Support	Cast Iron
Knobs	Soft Touch Knob
Burners	6 <sup>th</sup> Generation Brass Burners
Wok Burner Design	Direct Flame
Cooking Zones	
Triple Flame Burner	1 x 5 kW
Mini Triple Flame Burner	1 x 3.5 kW
Dual Flame Burner	1 x 2 kW
Single Flame Burner	1 x 0.9 kW
<b>MRP (INR)</b>	<b>40,990/-</b>

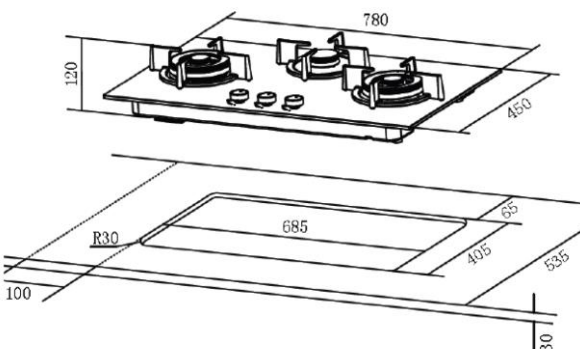


<b>Features</b>	<b>ZETA 390</b>
<b>Article No</b>	<b>538.01.968</b>
Outer Product Dimensions (W x D x H)	900 mm x 520 mm x 130 mm
Material	8 mm Toughened Glass
Finish	Black Matt
Design	3 Burner
Safety	Flame Failure Safety Device
Ignition	Electric Auto
Pan Support	Cast Iron
Knobs	Soft Touch Knob
Burners	6 <sup>th</sup> Generation Brass Burners
Wok Burner Design	Direct Flame
Cooking Zones	
Triple Flame Burner	1 x 5 kW
Mini Triple Flame Burner	1 x 3.5 kW
Dual Flame Burner	1 x 2 kW
Single Flame Burner	--
<b>MRP (INR)</b>	<b>32,990/-</b>

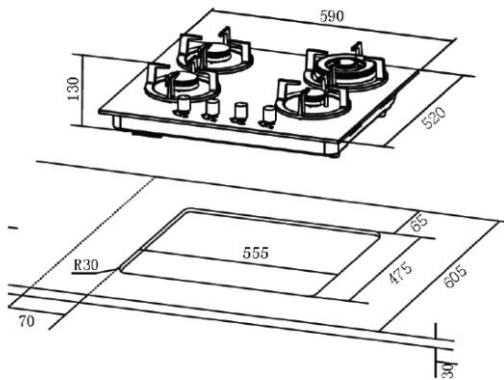
**PRODUCT AND TECHNICAL SPECIFICATIONS**



<b>Features</b>	<b>ZETA 480</b>
<b>Article No</b>	<b>538.01.956</b>
Outer Product Dimensions (W x D x H)	800 mm x 520 mm x 145 mm
Material	8 mm Toughened Glass
Finish	Black Matt
Design	4 Burner
Safety	Flame Failure Safety Device
Ignition	Electric Auto
Pan Support	Cast Iron
Knobs	Soft Touch Knob
Burners	6 <sup>th</sup> Generation Brass Burners
Wok Burner Design	Direct Flame
<b>Cooking Zones</b>	
Triple Flame Burner	1 x 5 kW
Mini Triple Flame Burner	1 x 3.5 kW
Dual Flame Burner	2 x 2 kW
Single Flame Burner	--
<b>MRP (INR)</b>	<b>39,990/-</b>



<b>Features</b>	<b>ZETA 378</b>
<b>Article No</b>	<b>538.01.965</b>
Outer Product Dimensions (W x D x H)	780 mm x 450 mm x 120 mm
Material	8 mm Toughened Glass
Finish	Black Matt
Design	3 Burner
Safety	Flame Failure Safety Device
Ignition	Electric Auto
Pan Support	Cast Iron
Knobs	Soft Touch Knob
Burners	6 <sup>th</sup> Generation Brass Burners
Wok Burner Design	Direct Flame
<b>Cooking Zones</b>	
Triple Flame Burner	2 x 5 kW
Mini Triple Flame Burner	--
Dual Flame Burner	1 x 2 kW
Single Flame Burner	--
<b>MRP (INR)</b>	<b>31,990/-</b>

**PRODUCT AND TECHNICAL SPECIFICATIONS**


<b>Features</b>	<b>ZETA 460</b>
<b>Article No</b>	<b>538.01.951</b>
Outer Product Dimensions (W × D × H)	590 mm × 520 mm × 130 mm
Material	8 mm Toughened Glass
Finish	Black Matt
Design	4 Burner
Safety	Flame Failure Safety Device
Ignition	Electric Auto
Pan Support	Cast Iron
Knobs	Soft Touch Knob
Burners	6 <sup>th</sup> Generation Brass Burners
Wok Burner Design	Direct Flame
Cooking Zones	
Triple Flame Burner	1 × 5 kW
Mini Triple Flame Burner	--
Dual Flame Burner	2 × 2 kW
Single Flame Burner	1 × 0.9 kW
<b>MRP (INR)</b>	<b>29,990/-</b>



# HÄFELE

## Häfele India Private Limited

Office No. 3, Building "A", BETA, I Think  
Techno Campus, Off J.V.L.R, Opp.  
Kanjurmarg East, Mumbai – 400 042.  
**Phone:** 022 6142 6100 | **Fax:** 022 6702 0531.

New Delhi | Kolkata | Chennai | Hyderabad |  
Bangalore | Pune | Ahmedabad | Srilanka |  
Bangladesh | Nepal | Bhutan

Toll Free Customer Care No.: 1800 266 6667  
SMS HAFELE to 56070  
info@hafeleindia.com  
customercare@hafeleindia.com

