

Hafele Nagold Appliances

NAGOLD

— by **HÄFELE**

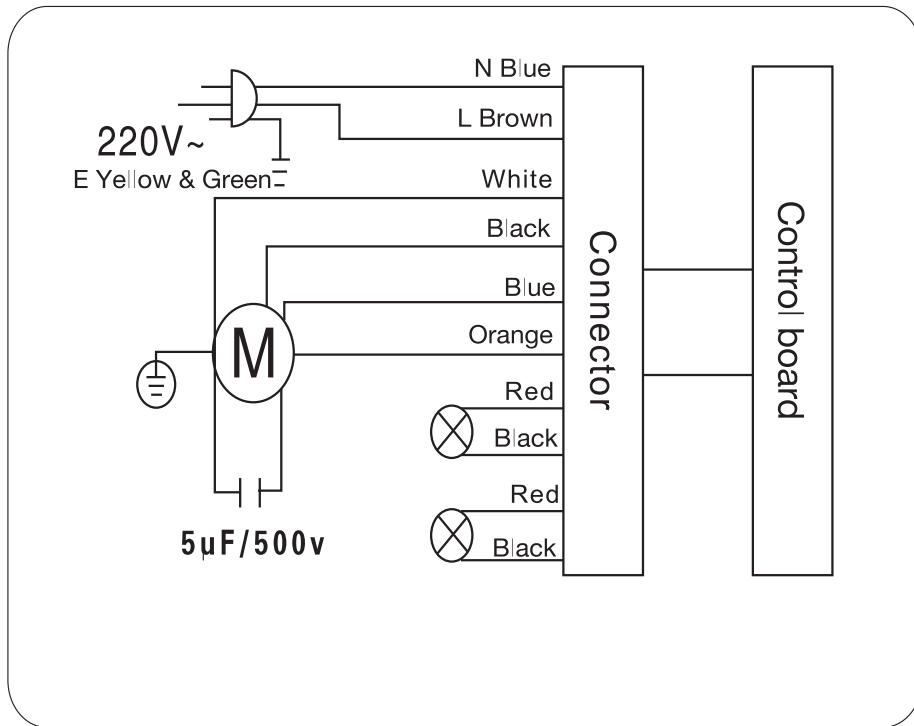
**INSTRUCTION MANUAL
TERESA 90- Range Hood**



ISO9001:2008

Hafele Article Number(538.82.213)

J Circuit Diagram



Specifications are subject to change without prior notice.

K After-Sales Service

When using this machine, please DO NOT change the connection and construction inside it.

The wire and/or the cable can not be used for other purpose.

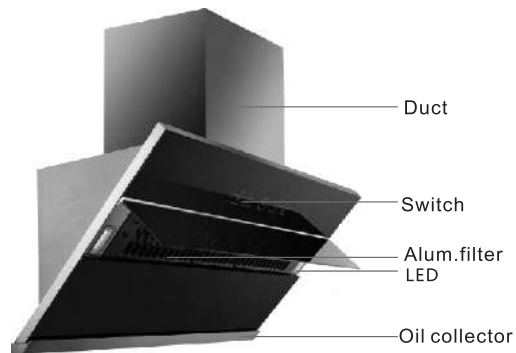
And it also can NOT be cut or connected with others.

The manufacturer or distributor will NOT take any responsibility for any property damage, personal injury or machine damage because of above improper operation and/or the user do not use the machine directed by the USER' S MANUAL.

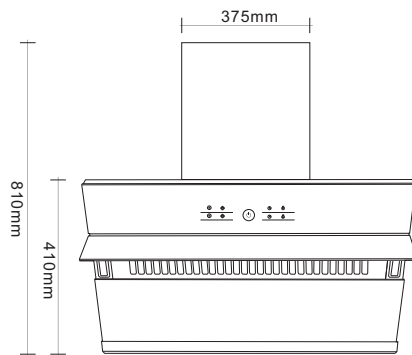
Table of Contents

Names for Parts	1
Packing List	2
Technical Data	2
Installation Direction	3
Installation Sketch	3
Warning	4
Operation Direction	5
Cleaning Direction	6
Trouble Shooting Table	6
Circuit Diagram	7
After-Sales Service	7

A Names for parts



The glass can be open automatic



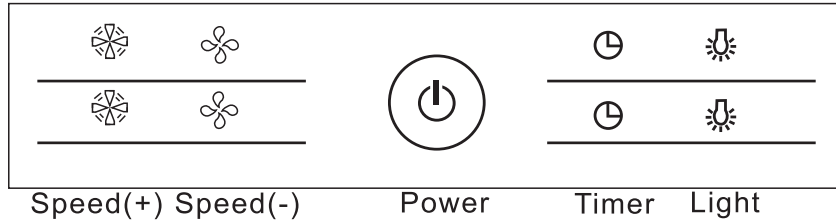
H Cleaning Direction

1. Pull out the plug to cut the electrical power before cleaning.
2. During cleaning and maintenance, please DO wear gloves. The edge of the accessories may hurt your hands.
3. Cleaning:
 - A. Clean the impeller and motor house part timely. Clean grease collector, filter, and cover of the machine when in needs.
 - B. The cover of the machine should be cleaned with neutral detergent and soft cloth to prevent scraping it.
 - C. Dismantle the grease filter and keep it in the neutral detergent water for 30-40 minutes. And clean it with soft cloth and soft brush.
 - D. Please keep the electric parts dry when cleaning.

I Trouble Shooting Table

Malfunction	Possible Cause	Elimination
Press the control button, but the machine and the lights do not work.	Don't insert the plug completely.	Check the plug and insert it completely.
	The lamps are damaged.	Change the lamps.
	The wire and/or the cable is not connected well. The transformer for lights is damaged.	Contact with the distributor and/or service center. Contact with the distributor and/or service center.
Lights work but the blower doesn't work.	The impeller is blocked.	Check and eliminate the disorder.
	The capacity is disconnected and/or damaged. The motor is damaged.	Contact with the distributor and/or service center. Contact with the distributor and/or service center.
The machine shakes	The machine is not hanged steadily.	Hang the machine steadily.
	The motor is not installed steadily. The damaged impeller breaks the balance.	Fix it tight. Contact with the distributor and/or service center.
Only one of two buttons for blower works.	The switch is in disorder.	Contact with the distributor and/or service center.
	Connection with the control board is not good.	Contact with the distributor and/or service center.
Ventilation of range hood is not efficient.	The machine is mounted too high.	Replace the machine lower.
	The damper flap on the outlet cover is not opened completely.	check it and make it flexible.
	Air convection is too strong around the machine.	Close the window reasonably.
	The grease filter is too dirty. The wire and/or cable is damaged.	Clean it.
The power cable is damaged.	Mechanical damage.	Replace the power cable with a new one in the nearest service center.

G Operation Direction



- 1) Press “power” switch, lighting, hood on standby.
 Press “Speed(+)”, hood work on fast speed.
 Press “Speed(-)”, hood work on low speed.
 Press any of “Speed(+)”, “Speed(-)” or “Light”, the glass will open automatically.
 Press “Light”, light is on.
 Press “Speed(+)” or “Speed(-)” again to change speed to high, medium or low. When on low speed, press “Speed(-)” again, hood stop to work. Press “power” again, hood will off..
- 2) when hood is working, press “Timer”, hood will close after 1 minute.
 When hood on 1 minute timing, press “Timer” again, will cancel timing. When hood on 1 minute timing, press “power” again, hood will off.

B Packing List

Please check if the following items or accessories are all included or damaged when you open the package.

1. Please contact the distributor within service responsibility cover of manufacturer or distributor.
2. Please contact the local authorized service center if you lose some items.

Hood	1pc	Seal	1pc
Hook	1pc	∅ 10 X 38 expansion pipe	4pcs
Oil collector	1pc	St5 X 50 bolt for mounting	4pcs
Air pipe	1pc	St4 X 8 bolt for outlet adaptor	2pcs
Manual	1pc	M4 bolt	2pcs
Outlet adaptor	1pc	M4 X 8 bolt	4pcs
Chimney	1pc		

C Technical Data

Rated frequency	50hz
rated power input	258W
Light power	3W
Air flow	900m ³ / h
Air pressure	220.5Pa
Noise	≤72db
exhaust pipe	160 ∅

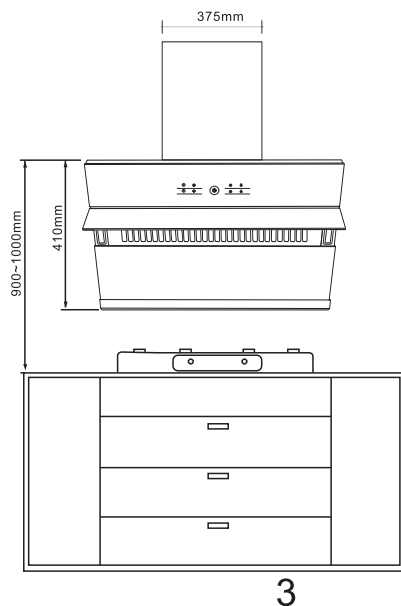
D Installation Direction

1. Position the hood on the right place according to the kitchen design.
2. Drill installation holes with 10mm diameters on the wall above the hob(sizes refer to installation sketch), then inbuilt 4pcs of $\varnothing 10 \times 38$ expansion pipe and St5 X 50 bolt.
3. Hang the hood steadily on the 4pcs of St5 X 50 bolt no tilting.
4. Installation of outlet pipe (Optional for outside exhausting)
Insert the pipe into adaptor, fix the pipe on the adaptor by 2pcs St4 X 8 screws.
5. Extend the exhaust pipe out of the room with suitable length; (Optional for outside exhausting)
6. Check if each part has been installed securely.
7. Connect the hood into power supply and test run it to check it's in good state.



Attention: Please do not extend the exhaust pipe out of room too long or bend it too much, because it will lose the pressure of the flow too much which affects the ventilation of range hood.

E Installation Sketch



F Warning

- DO use three holes electrical socket with single-phase and safely earthed.
- DO NOT discharge the exhaust gas from the range hood into the hot pipe which used for other fuel fog.
- DO NOT dismantle and clean the machine without power off.
- Clean the dirt and grease on the cover regularly. Do not wet the motor, control board and other electrical parts.
- Keep the range hood on the water level. The end of exhaust pipe out of the room should be lower.
- DO NOT dismantle and maintain the machine unless the qualified person.
- DO use the special wire or cable, which you can get either from your service office, or from our company when the machine's wire or cable is damaged.
- DO NOT touch the lamps with hand when they are working. The hot lamps may burn your hands.
- DO clean the surface of machine with soft cloth and neutral detergent to prevent scraping the Surface.
- Keep the kitchen ventilation good when the range hood is in operation with gas hob burning.
- DO clean the machine according to the instructions of user's manual.
- DO NOT burn the range hood directly without any cooking ware.
- DO NOT change the specifications of the electric parts such as switch buttons, motor and capacitor during maintenance.
- The range hood in operation may blow out the flame of the cookers when the wind is too strong. So please make sure the flame is on a good state.
- The range hood is an electric household appliance. DO NOT use it in other special Circumstance.