

HEAVY DUTY CYLINDRICAL LOCKS

HEAVY DUTY CYLINDRICAL LOCKS

Code No.	Description
CL101 ET	Ball Knob Entrance
CL101 PR	Ball Knob Privacy
CL101 PS	Ball Knob Passage
CL101 DM	Ball Knob Dummy



Material : Stainless Steel-304
Finish : Hairline Finish



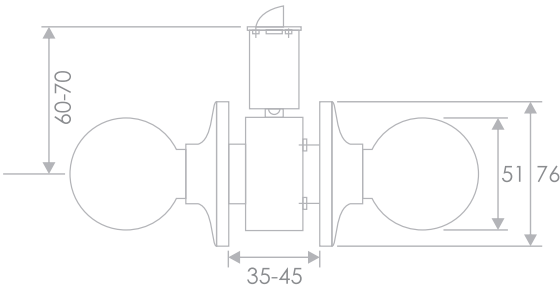
Material : Brass
Finish : Antique Brass



Material : Brass
Finish : Polish Brass

Advantages

- Solid Brass / stainless steel – 304 material
- 3,00,000 times opening, closing tested.
- Strong & smooth operations.
- Easily adjustable to door with 30-50mm.
- Backset adjustable – 60 & 70 mm.
- Big rose of 3" dia.

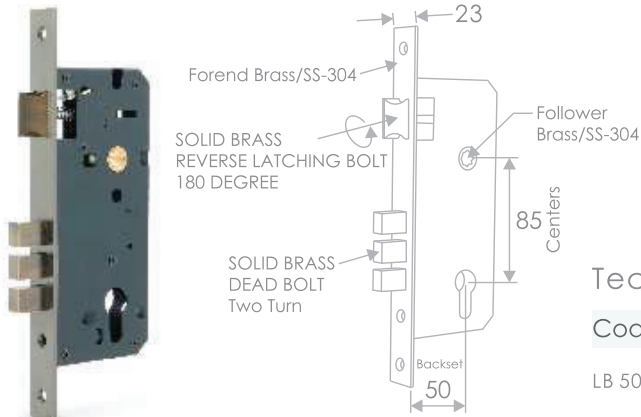


Type	Description
Entrance	Entrance / Office Lock Both knobs locked or unlocked by key outside or push button inside.
Privacy	Privacy / Bathroom Lock Both knobs locked or unlocked by push button inside or emergency key outside.
Passage	Passage / closet lock Both knobs always free.
Dummy	Single dummy trim / Single dummy trim for one side of door.

* Finishes Available : Polished Brass, Antique Brass, Stainless Steel

MORTISE LOCK BODY

STANDARD LOCK



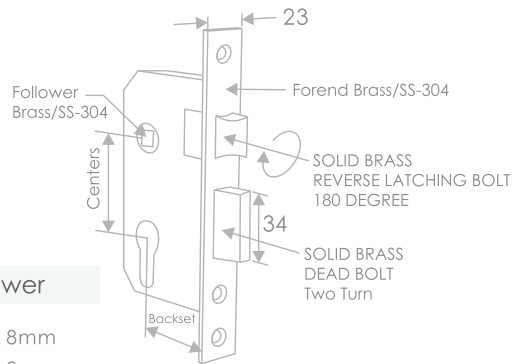
Technical Data

Code No.	Backset	Centers	Follower
LB 5085	50mm	85mm	8mm x 8mm

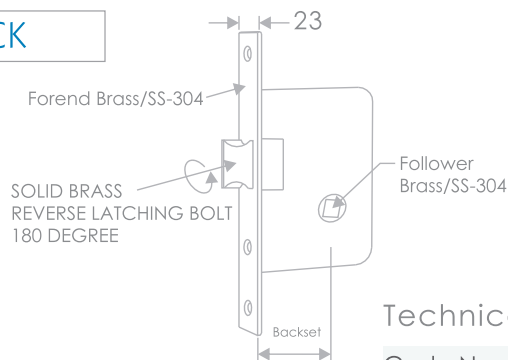
NIGHT LATCH LOCK

Technical Data

Code No.	Backset	Centers	Follower
LB 4550	45mm	50mm	8mm x 8mm
LB 5560	55mm	60mm	8mm x 8mm



LATCH BOLT LOCK



- 3,00,000 opening / closing cycle tested.
- Strong heavy duty construction.

Technical Data

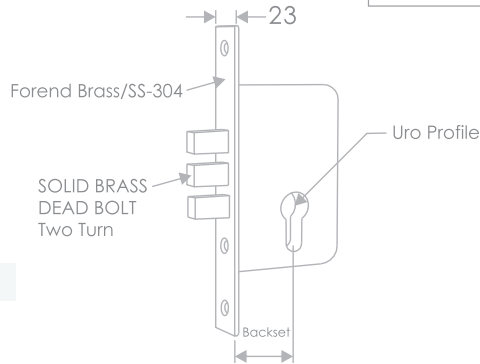
Code No.	Backset	Follower
LB 45L	45mm	8mm x 8mm
LB 50L	50mm	8mm x 8mm

MORTISE LOCK BODY

DEAD BOLT LOCK

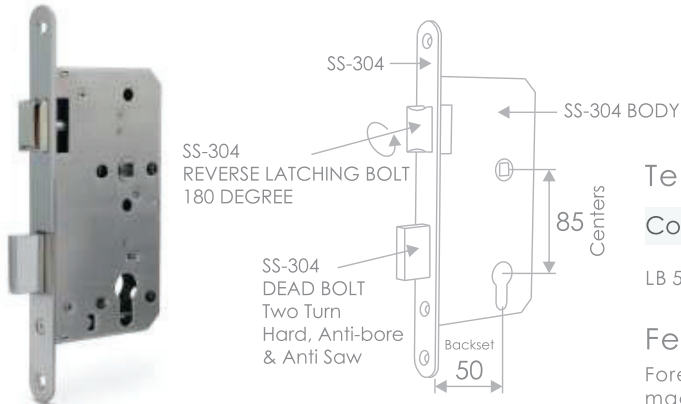
Technical Data

Code No.	Backset	Follower
LB 45D	45mm	8mm x 8mm
LB 50D	50mm	8mm x 8mm



HIGHER SECURITY LOCK

Complete Stainless Steel-304 Lock Body



Technical Data

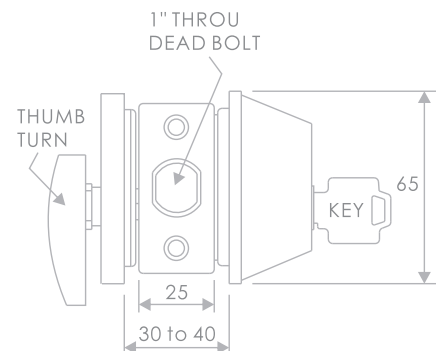
Code No.	Backset	Centers	Follower
LB 5085S	50mm	85mm	8mm x 8mm

Features

Forend, Latch Bolt, Dead Bolt, Lock Case, Follower all are made from **Stainless Steel-304**

AMERICAN DEAD BOLT

ADB 101



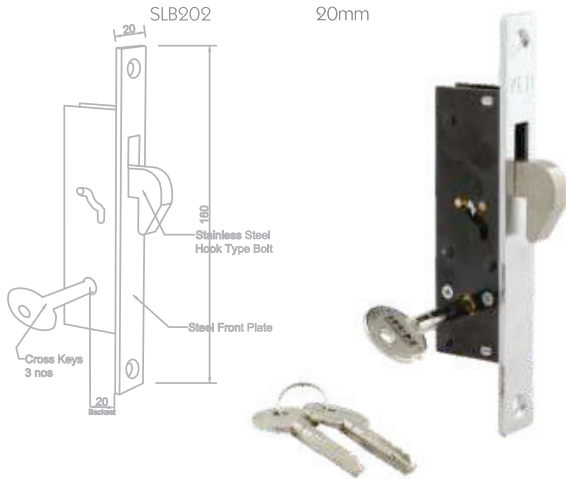
- * Material : Solid Brass
- * Finishes Available : Polished Brass, Antique Brass, Satin Nickel.

WITH HOOK TYPE BOLT

Technical Data

Code No. Backset

SLB202 20mm

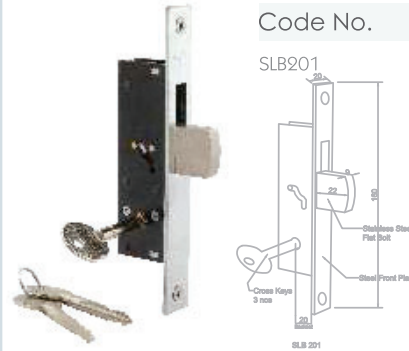


WITH FLAT BOLT

Technical Data

Code No. Backset

SLB201 20mm

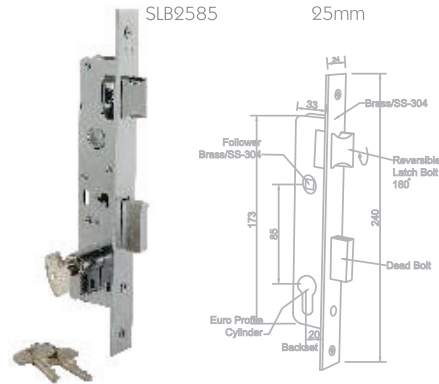


WITH FLAT BOLT

Technical Data

Code No. Backset Centers Follower

SLB2085	20mm	85mm	8x8mm
SLB2585	25mm	85mm	8x8mm

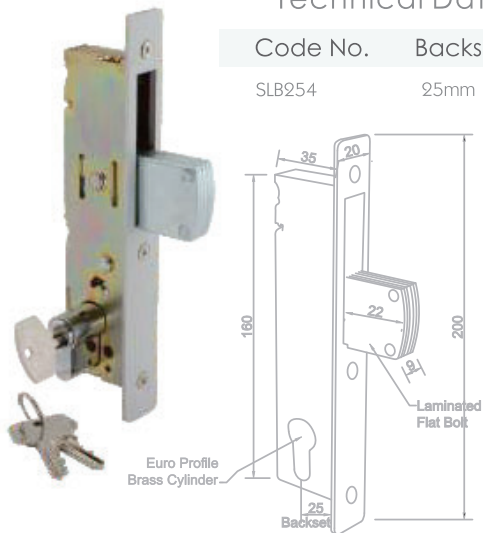


WITH FLAT BOLT

Technical Data

Code No. Backset

SLB254 25mm

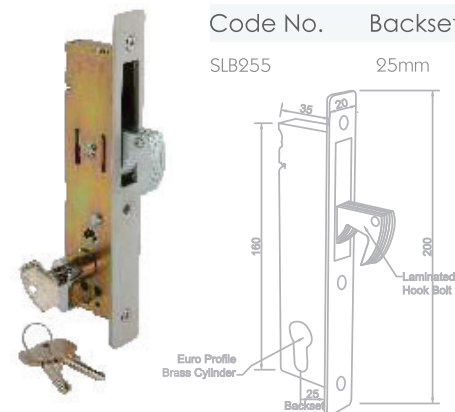


WITH HOOK TYPE

Technical Data

Code No. Backset

SLB255 25mm

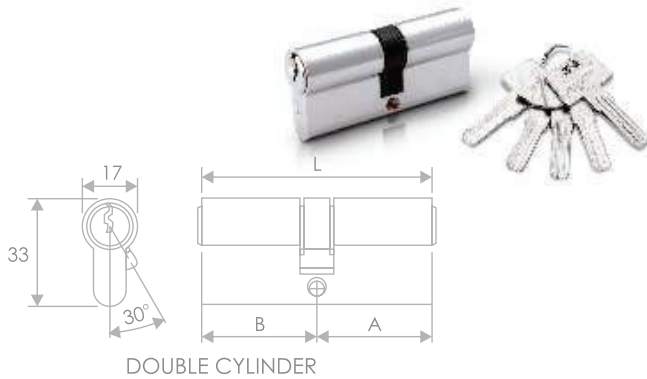


- 3,00,000 opening / closing cycle tested.
- Strong heavy duty construction.

EURO PROFILE KEY CYLINDERS, SOLID BRASS

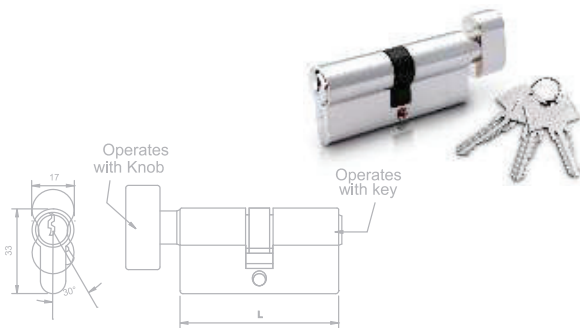
DOUBLE CYLINDERS

BOTH SIDE KEY CYLINDER



Code No.	Size	Description
YDS 60KK	60 mm	Yale key way 3 Solid Brass keys
YDS 70KK	70 mm	
YDS 80KK	80 mm	
YDS 90KK	90 mm	
YDS 100KK	100 mm	
YDS 120KK	120 mm	
YDS 140KK	140 mm	
YDS 160KK	160 mm	
DDS 60KK	60 mm	Dimple key way 5 Nickel Silver keys
DDS 70KK	70 mm	
DDS 80KK	80 mm	
DDS 90KK	90 mm	
DDS 100KK	100 mm	
DDS 120KK	120 mm	
DDS 140KK	140 mm	
DDS 160KK	160 mm	

KEY & KNOB TURN CYLINDER



Code No.	Size	Description
YDS 60KN	60 mm	Yale key way 3 Solid Brass keys
YDS 70KN	70 mm	
YDS 80KN	80 mm	
YDS 90KN	90 mm	
YDS 100KN	100 mm	
YDS 120KN	120 mm	
YDS 140KN	140 mm	
YDS 160KN	160 mm	
DDS 60KN	60 mm	Dimple key way 5 Solid Brass keys
DDS 70KN	70 mm	
DDS 80KN	80 mm	
DDS 90KN	90 mm	
DDS 100KN	100 mm	
DDS 120KN	120 mm	
DDS 140KN	140 mm	
DDS 160KN	160 mm	

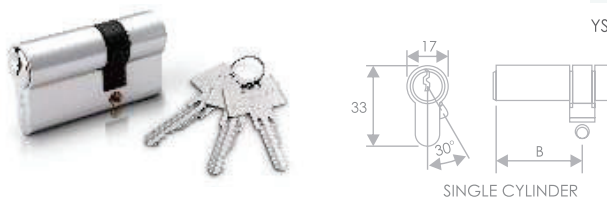
COIN & KNOB TURN CYLINDER (PRIVACY)



Code No.	Size	Description
NDS 60CN	60 mm	No key way
NDS 70CN	70 mm	
NDS 80CN	80 mm	
NDS 90CN	90 mm	
NDS 100CN	100 mm	
NDS 120CN	120 mm	
NDS 140CN	140 mm	
NDS 160CN	160 mm	

SINGLE CYLINDERS

DEAD LOCK CYLINDER



Code No.	Size	Description
YSS 40DL	40 mm	Yale key way 3 Solid Brass keys

* Finishes Available : Polish Brass, Antique Brass & Satin Nickel