



# SLIDING AND FOLDING SYSTEMS

## index

- pg. 02 auto closing sliding door system
- pg. 03 balcony system
- pg. 04 swing n slide door
- pg. 05 frameless glass system
- pg. 06 sliding door system for glass
- pg. 07 sliding door system for wooden
- pg. 08 sliding folding door for wooden
- pg. 09 sensor door system
- pg. 10 heavy sliding folding door
- pg. 11 heavy sliding door
- pg. 12 cantilever gate

# TRANSFORMING YOUR LIVING SPACE

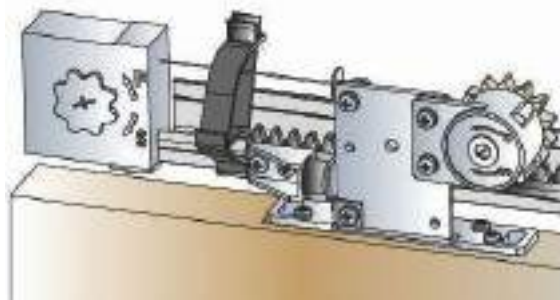
# auto closing sliding door system

no power required



SDD06W- Wooden Door

SDD06G- Glass Door



- Can be used for Wooden and Glass doors
- Green product, save electricity
- Unique advantage of automatically closing the door smoothly and silently
- Synchronized opening and closing for double doors
- The door closed with its own weight, no Power required
- The rear side brake with back check function absorbs the impact on the door allowing the door to close easily
- Wight capacity Single door - 90 KG m Double door 90 kg per door
- Application areas - Hospitals / Hotels / offices / Schools

# balcony system



- Enjoy almost unobstructed panoramic views
- System does without vertical frames and then allows a wonderful view to the exterior even when it is closed.
- Our Frameless balcony glass systems have been designed to cover and protect your balcony with style.
- Retractable glass means that our frameless retractable glass can be fully opened, the glass slides easily to fold against the wall and is easy to use.
- The individually moveable, unconnected glass panels can be opened over the entire front and parked as a narrow stack on the side so that a hassle-free passage from the inside to the outside is ensured and the visual appearance is not impaired. When the panels are opened, they only require little space.

# swing n slide door



SNS01

## REDUCE THE VOLUME



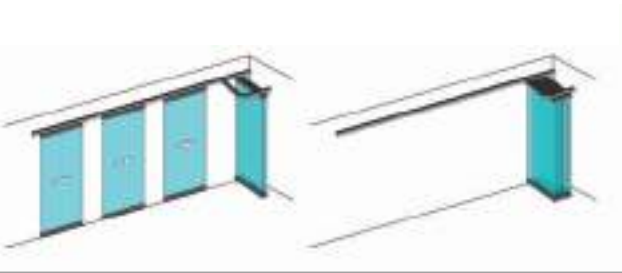
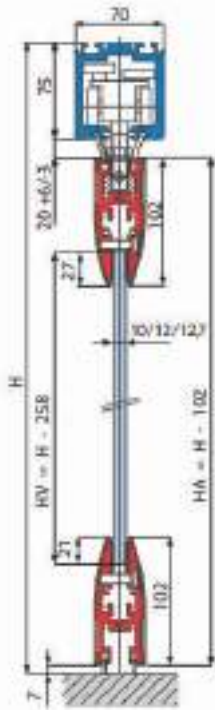
## INCREASE THE SPACE

For more than 40 years, Colegon works in the furniture sector with solutions to exploit the available space, reducing the volume of doors by 50% with an innovative patented technology. ERGON® living is a technology that revolutionises the concept of the door: a tool which, even in the design phase, offers new alternatives to solve the problems of organising interior space, providing new furnishing perspectives even in small surroundings.



- Magnum Swing n Slide revolutionary system to the home, which reduces the volume and increases the available space. During the design phase, the access areas can be reorganised to increase the available space in the rooms.
- It can be opened from both sides, you can enter or leave the room by just pushing the door which then quickly closes behind you.
- The double opening direction is the ideal solution to emergency doors and these features are also practical for the disabled.
- The simultaneous rotating and translating movement of the door during opening and closing means that the volume is reduced to a minimum, making access easy even to very small rooms.
- System has successfully passed the strict CATAS testing of 100,000 openings

# frameless glass system



- Sliding Stacking System with glass
- No need to make holes in Glass
- 150 Kg per weight capacity per panel
- Supports panels from 10 -12 mm thick
- The model is characterized by a stopping area for the panels , known as parking area.
- Parking feature in 90 or perpendicular , and this permits the widest range of fitting variations adding flexibility and enabling it to be adapted to any space

# sliding door system for glass



- Solution for a rapid and discreet fitting up
- Ideal for partially or completely glazed fixtures
- Catch-Stop System allows the door to fix in an open or closed position
- For Glass Doors of 8mm ,10 mm and 12mm thickness
- Weight Capacity of 80 - 120 Kgs
- Consist of Aluminium Track of 2m length along with necessary gears
- Hangers adapted to security glasses
- Drilling of the door not required , no holes required on glass