

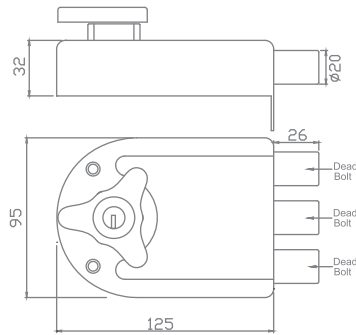
Tri-shoot bolt

Series - TS

Tri - shoot dead bolt



101 TS
Tri - shoot dead bolt with 4
dimple key (with inside lock)



103 TS
Tri - shoot dead bolt with 4
dimple key (without inside lock)

Advantages

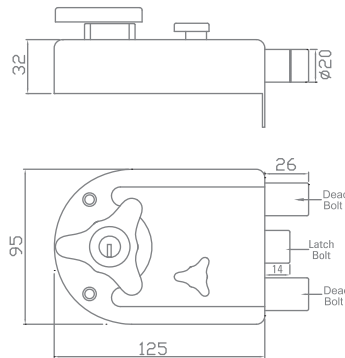
- Strong security with three solid brass dead bolts with Anti-Drill pin
- Four non-duplicable dimple keys with multi raw 14 pairs pin cylinder
- Over one million keys combinations
- Keys made from Nickel silver which is strong and rust proof
- 3,00,000 opening closing cycle tested
- Three stroke movement of bolts for more security
- Can be locked from Inside for extra security for children and servant
- 3 access knobs for convenient gripping
- 3 Solid brass dead bolts with Anti-Drill pin
- 3 Stroke movement, 25 mm
- Four non-duplicable dimple keys with multi raw 14 pairs pin cylinder
- Keys made from Nickel silver, strong and rust proof
- Over one million keys combinations
- Keys made from Nickel silver which is strong and rust proof
- 3,00,000 opening closing cycles tested
- Three stroke movement of bolts for more security

Series - TL

Tri - shoot night latch



102 TL
Tri-shoot latch action
with 4 dimple key
(with inside lock)

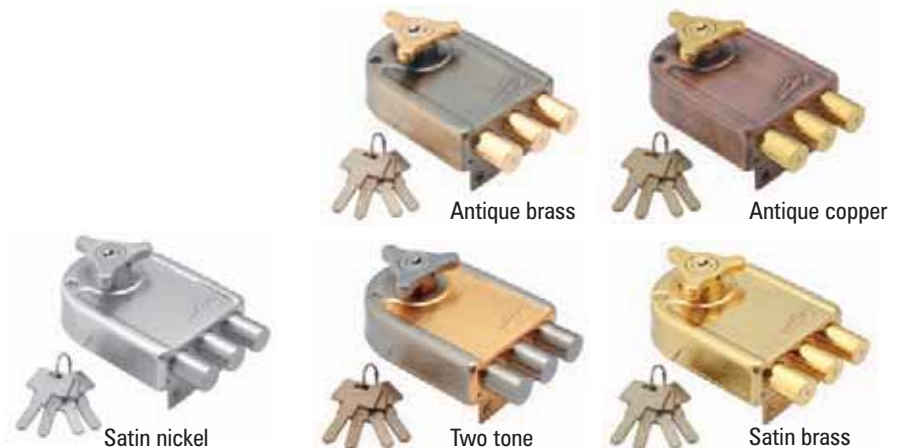


104 TL
Tri-shoot latch action
with 4 dimple key
(without inside lock)

Advantages

- Strong security with three solid brass dead bolt with Anti-Drill pin
- Four non-duplicable dimple keys with multi raw 14 pairs pin cylinder
- Over one million keys combinations
- Keys made from Nickel silver which is strong and rust proof
- 3,00,000 opening closing cycles tested
- Three stroke movement of bolts for more security
- Can be locked from inside for extra security for children and servant
- With latch action the door always remains in locked position when it is closed

Available in



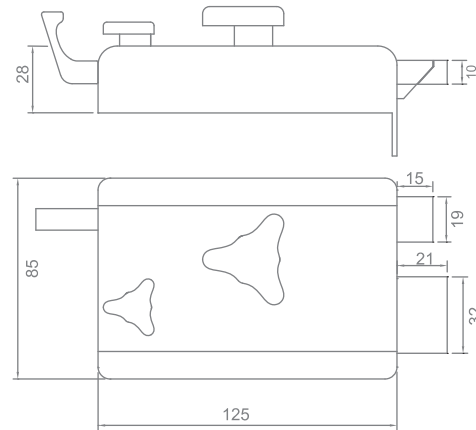
Safety latch

Series - SL

Safety latch



111 SL
Safety Latch
with normal 3 keys



112 SL
Safety Latch
with 4 Dimple key

Features

- 3 access knobs for convenient gripping
- Brass latch bolt and Brass dead bolt
- Double stroke dead bolt with 20 mm stroke
- Convenient safety knob provides door hold back feature, preventing accidental door closing
- Brass cylinder rose and keys all are corrosion resistant parts
- Scratch - proof powder coated / lacquare coated finish on body
- Inside knob operates deadbolt and serves as door pull
- Over 1 million combinations
- 14 locking pins
- 300000 opening / closing cycle tested

Advantages

- Solid Brass Latch and Door Bolts
- Double Strong dead bolt for extra Security
- Latch hold back feature which prevent accidental door closing
- Over one million key combinations with 14 locking pins
- 3,00,000 opening / closing cycle tested
- Suitable for 30mm to 90mm thick door

Suitable for

- Main entrance door in residences and institutes
- Left hand and right hand doors
- 30 mm to 90 mm thick doors
- Both inside and outside opening doors

Available in



Polished brass



Antique brass



Satin nickel



Ivory colour



Two tone



Antique copper