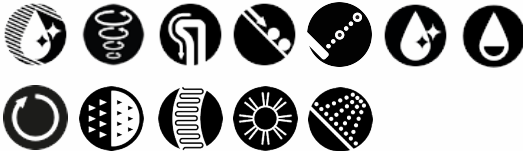


TOTO

TOILETS

NEOREST XH II
Luxurious Integrated Toilet

CW993VA#NW1 /
TCF993WA#NW1



FEATURES

- Integrated appearance of luxury, style & elegance
- Hybrid Ecology System
 - water saving dual flush 3.8 / 3L
 - minimum required water pressure only at 0.2MPa (Dynamic)
- TORNADO FLUSH for powerful flushing effect with less amount of water
- Integral WASHLET features front and rear warm water washing
- Revolutionary ACTILIGHT technology, keeps the toilet clean on its own, ridding it both of visible and invisible waste
- Automatic operation: Lid opens, closes and toilet flushes when sensor is activated
- Auto soft light function for night time usage

SPECIFICATIONS

• Flush System	:	TORNADO FLUSH
• Bowl shape	:	Elongated
• Water Pressure	:	0.2MPa~0.75 Mpa *
• Water Use	:	3.8/3L
• Rough-in	:	305mm
• Power Rating	:	220~240V**:50/60Hz 841~851W
• Length of Power Cord	:	1.2m
• Size	:	448W x 820D x 527H mm
• Material	:	Bowl - Vitreous China <ul style="list-style-type: none">- Seat & Cover - PP- Remote Controller - Aluminium

***Recommended to use 2.0KVA Voltage Stabilizer to avoid voltage fluctuation*

Recommended to use soft water (Quality of water - Degree of Hardness SS0 ppm)

**Recommended to use automatic water pressure pump for minimum 2.5 Bar (0.25MPa) water pressure*

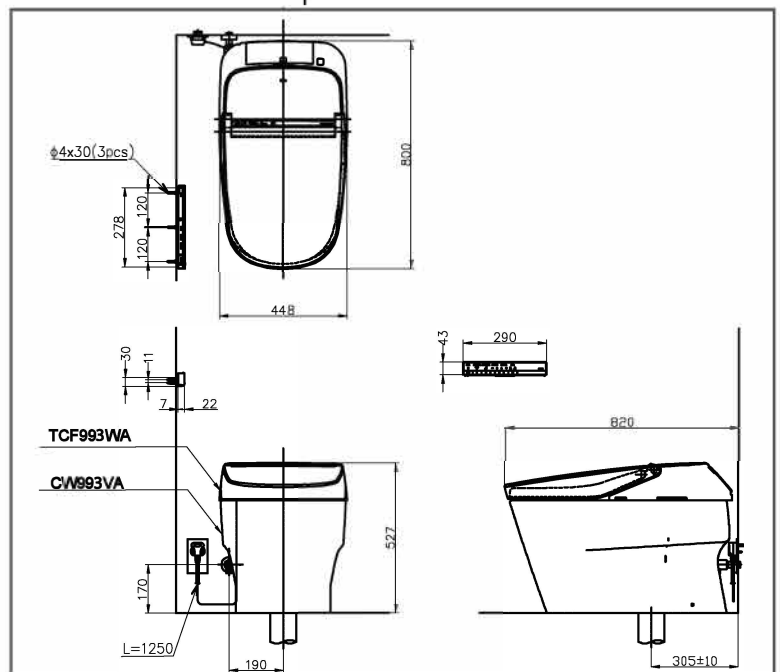
PARTS DESCRIPTION

- | | | |
|----------------|---|--------------------------------|
| • CW993VA#NW1 | : | Elongated Closet Bowl (S-Trap) |
| • TCF993WA#NW1 | : | WASHLET Unit |
| • T53P100 | : | Floor Flange |

COLOURS

White (CEFIONTECT)

CW993VA#NW1/TCF993WA#NW1



Please consult, TOTO representative for more details.

All rights reserved by TOTO including but not limited to Improve & Change of Product Design, Specs or Availability at any time without prior notice